

Pablo®

# CIRCA TABLE

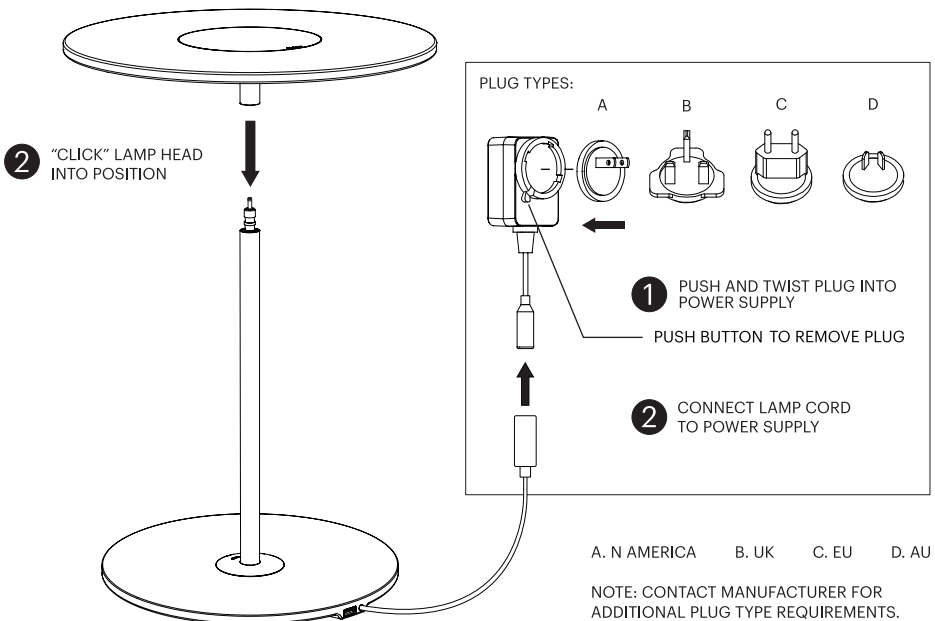
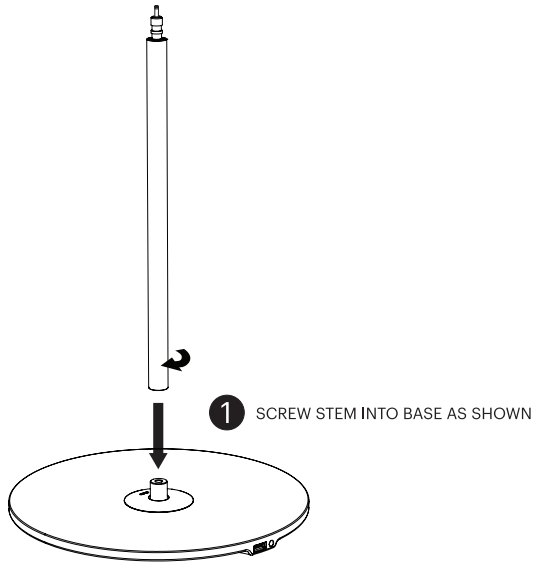
ASSEMBLY & INSTALLATION INSTRUCTIONS



# Pablo®

## CIRCA TABLE

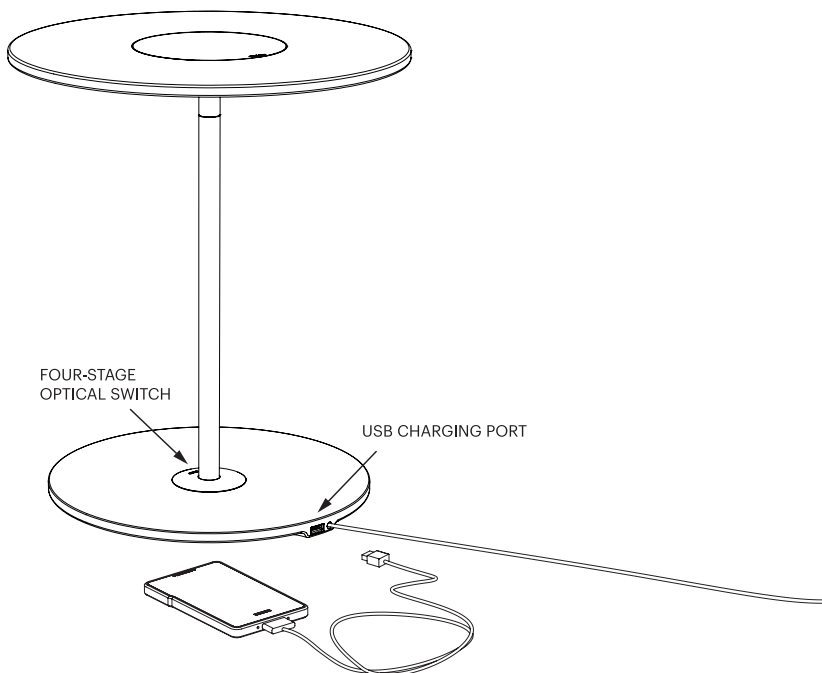
### ASSEMBLY



# Pablo®

# CIRCA TABLE

## CIRCA TABLE SWITCH AND USB CHARGING



### HIGHLIGHTS

SINGLE 5.0V USB OUTPUT SUPPORTS CHARGING FOR SMARTPHONES, TABLETS AND OTHER MOBILE DEVICES.

### SPECIFICATIONS

USB 2.0 OR 1.1 STANDARD CORD REQUIRED (CORD NOT INCLUDED)  
OUTPUT VOLTAGE: 5VDC + - 5%  
OUTPUT CURRENT: 1A MAX

### NOTE

CIRCA TABLE WILL CONTINUE TO CHARGE YOUR MOBILE DEVICE EVEN WHEN LAMP IS IN THE "OFF" POSITION.

PLEASE REFER TO YOUR MOBILE DEVICE'S USER MANUAL FOR COMPATIBILITY AND CHARGING TIME. PLEASE REFRAIN FROM LEAVING YOUR DEVICE PLUGGED IN FOR LONGER THAN THE RECOMMENDED TIME, OTHERWISE IT MAY RESULT IN OVER CHARGING.

PRESS AND HOLD OPTICAL SWITCH FOR 1.5 SECONDS TO TURN OFF. TAP BRIEFLY TO CYCLE THROUGH FOUR STAGES.

### CARE INSTRUCTIONS

WIPE CLEAN WITH A SOFT DAMP CLOTH. AVOID AMMONIA-BASED CLEANERS.

### NOTE

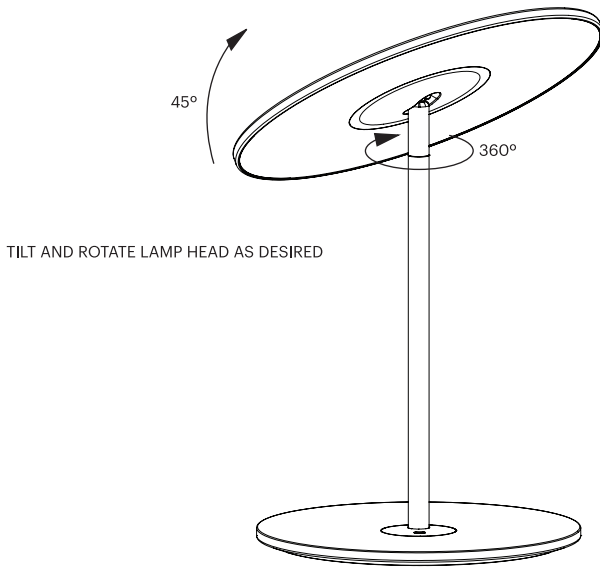
THIS LAMP IS NOT RECOMMENDED FOR DAMP LOCATIONS.

# Pablo®

# CIRCA TABLE

---

## ADJUSTMENT



INFO@PABLODESIGNS.COM  
888 MARIN STREET  
SAN FRANCISCO, CA  
94124

PABLODESIGNS.COM