

Pablo®

# CIRCA PENDANT

**120V / 220V ASSEMBLY & INSTALLATION INSTRUCTIONS**

INFO@PABLODESIGNS.COM  
888 MARIN STREET  
SAN FRANCISCO, CA  
94124

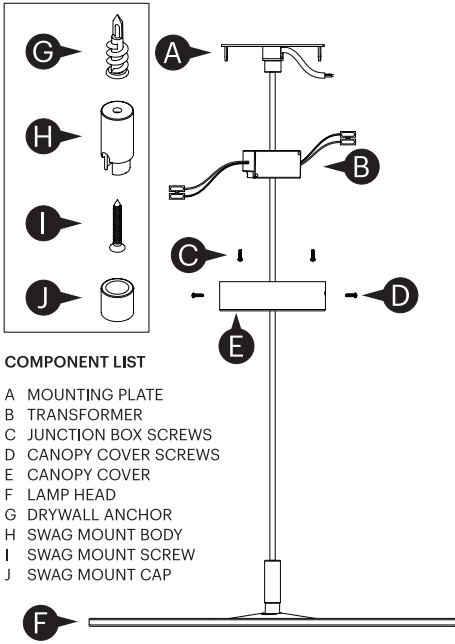
PABLODESIGNS.COM



# CIRCA PENDANT

**IMPORTANT: WE RECOMMEND FIXTURE BE INSTALLED BY AN ELECTRICIAN**

**WARNING: FIXTURE MUST BE WIRED CORRECTLY OR RISK DAMAGE TO COMPONENTS**

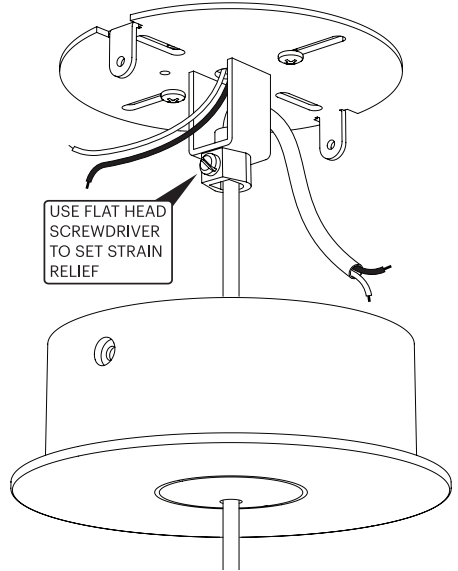


**COMPONENT LIST**

- A MOUNTING PLATE
- B TRANSFORMER
- C JUNCTION BOX SCREWS
- D CANOPY COVER SCREWS
- E CANOPY COVER
- F LAMP HEAD
- G DRYWALL ANCHOR
- H SWAG MOUNT BODY
- I SWAG MOUNT SCREW
- J SWAG MOUNT CAP

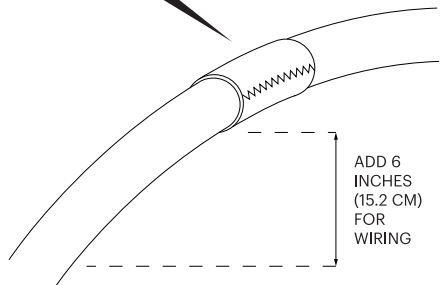
**NOTE: IF JUNCTION BOX IS NOT LOCATED IN THE DESIRED POSITION FOR CIRCA PENDANT, SEE BACK PAGE FOR SWAG MOUNT INSTALLATION**

- 2** ROUTE FIXTURE AND BUILDING CORDS AS SHOWN, THEN PULL CIRCA PENDANT TO DESIRED HEIGHT AND SET STRAIN RELIEF

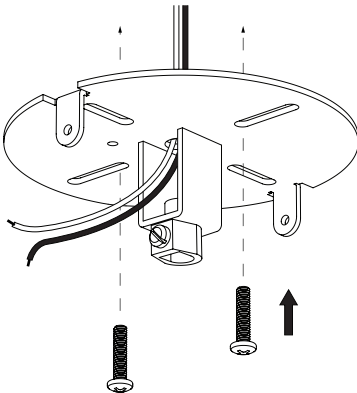


- 3** CUT FIXTURE CORD TO DESIRED LENGTH, ADDING AN ADDITIONAL 3 INCHES (7.6 CM) FOR WIRING

BEFORE CUTTING, WRAP CORD WITH ELECTRICAL TAPE TO PREVENT THE FABRIC SLEEVE FROM FRAYING



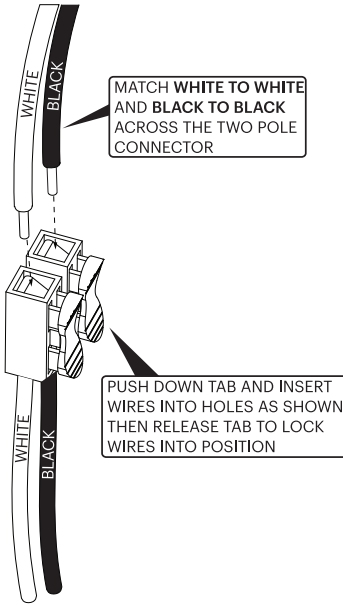
- 1** ROUTE BUILDING WIRING THROUGH MOUNTING PLATE, THEN ATTACH PLATE TO JUNCTION BOX



# CIRCA PENDANT

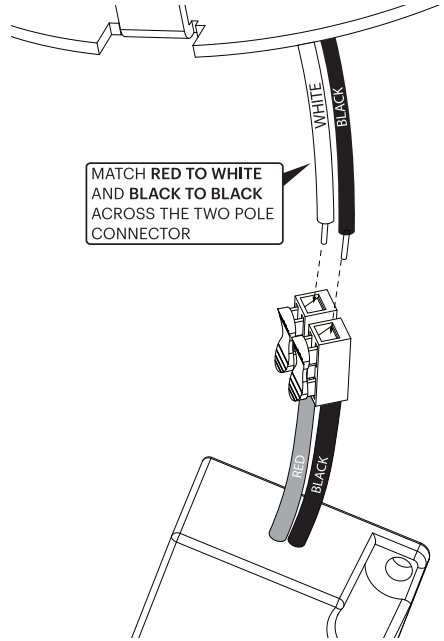
## 4 BUILDING WIRING

CONNECT BUILDING WIRING TO 2 POLE CONNECTOR ON AC INPUT SIDE OF TRANSFORMER

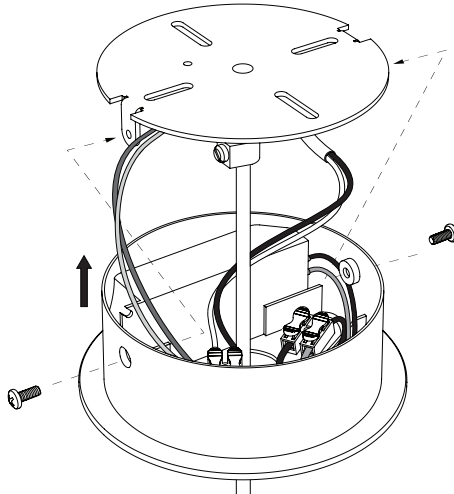


## 5 FIXTURE WIRING

CONNECT FIXTURE WIRING TO 2 POLE CONNECTOR ON DC OUTPUT SIDE OF TRANSFORMER



6 TUCK WIRES AND POLE CONNECTIONS INTO CANOPY COVER, THEN SLIDE COVER PLATE UP TO CEILING AND SECURE WITH SUPPLIED SCREWS



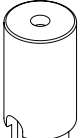
# CIRCA PENDANT

## SWAG MOUNT INSTALLATION

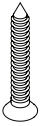
IF JUNCTION BOX IS NOT LOCATED IN DESIRED POSITION OF LIGHT, FOLLOW THESE ADDITIONAL STEPS:



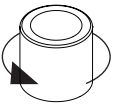
- 1 POSITION ANCHOR OVER DESIRED PENDANT LOCATION ON CEILING. TAP ANCHOR INTO THE CEILING, THEN USE A PHILLIPS SCREWDRIVER TO COMPLETE INSTALLATION



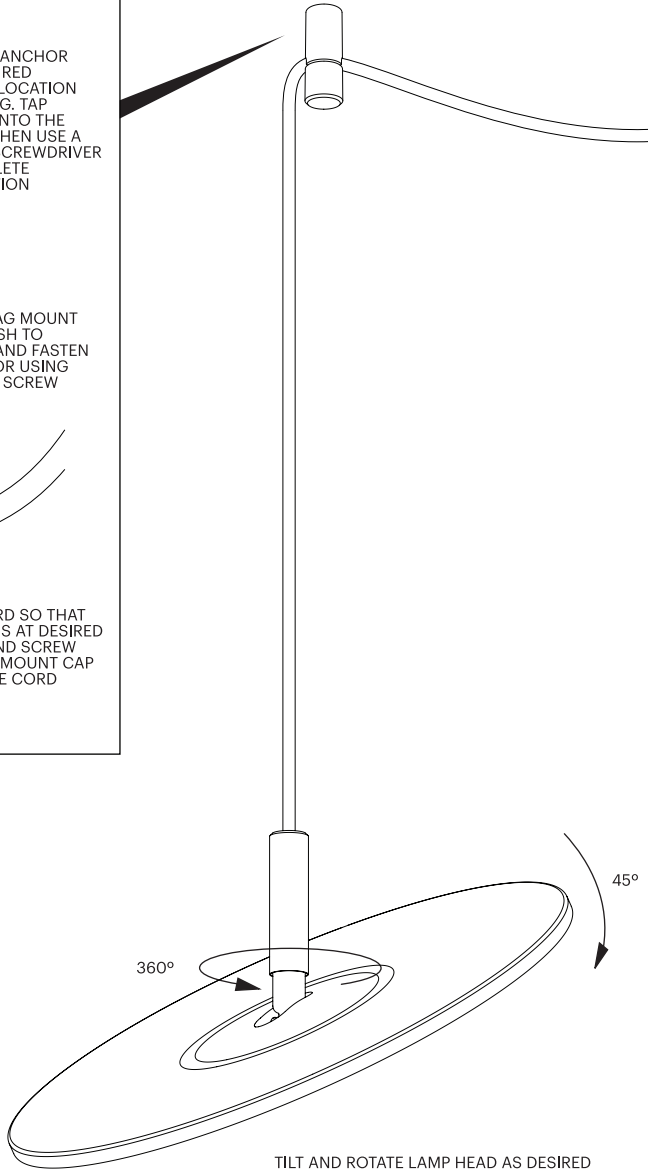
- 2 HOLD SWAG MOUNT BODY FLUSH TO ANCHOR AND FASTEN TO ANCHOR USING PROVIDED SCREW



- 3 HOLD CORD SO THAT PENDANT IS AT DESIRED HEIGHT AND SCREW ON SWAG MOUNT CAP TO SECURE CORD



## ADJUSTMENT



**BULB TYPE**  
LED FLAT PANEL

**BULB REPLACEMENT**  
CONTACT MANUFACTURER FOR BULB REPLACEMENT

**CORD LENGTH**  
10FT (305CM)

**ELECTRONIC**  
LOW VOLTAGE DIMMER  
RECOMMENDED

**CARE INSTRUCTIONS**  
WIPE CLEAN WITH A SOFT DAMP CLOTH. AVOID AMMONIA-BASED CLEANERS.

### NOTE

THIS LAMP IS NOT RECOMMENDED FOR DAMP LOCATIONS.

TILT AND ROTATE LAMP HEAD AS DESIRED