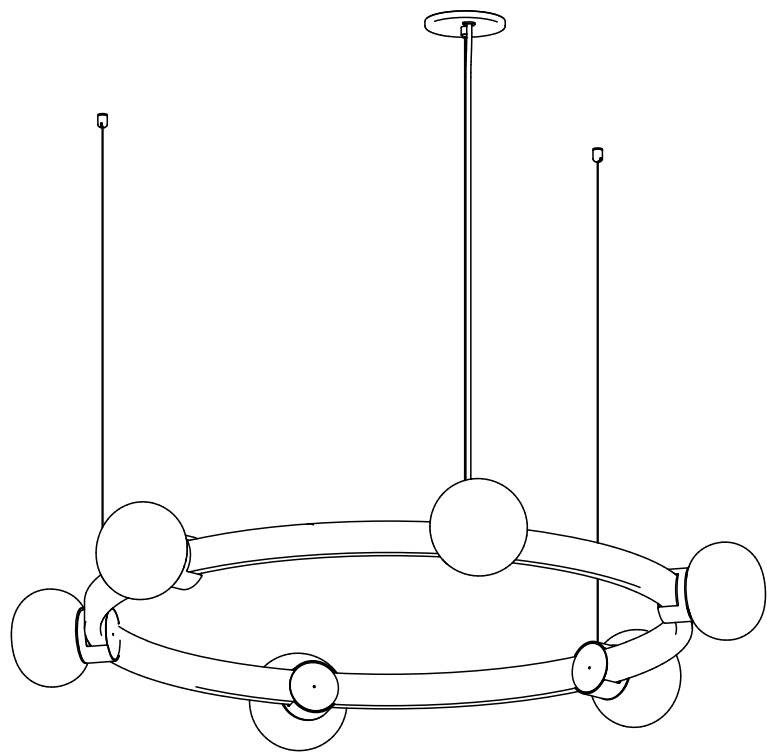


Cinema

15150 rA

Single Tier
Low Voltage Input



CAUTION:

Before starting, turn off power at main circuit panel.

ADVERTENCIA:

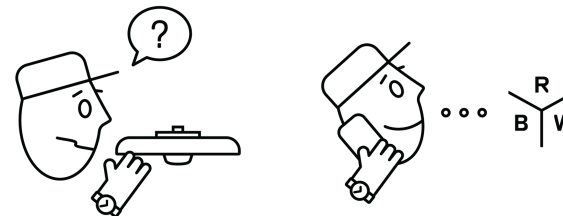
Antes de comenzar la instalación, apague la corriente en el tablero principal.

ATTENTION:

Coupez l'alimentation avant de proceder à l'installation.



Calling for backup? Scan above to contact our team.

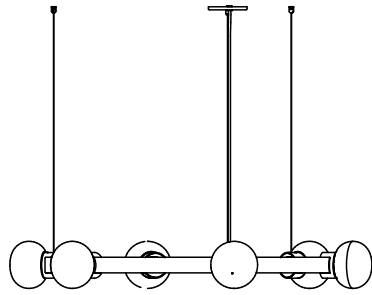


www.RBW.com

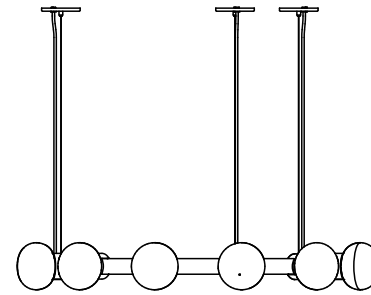
+1 212 388 0399

support@RBW.com

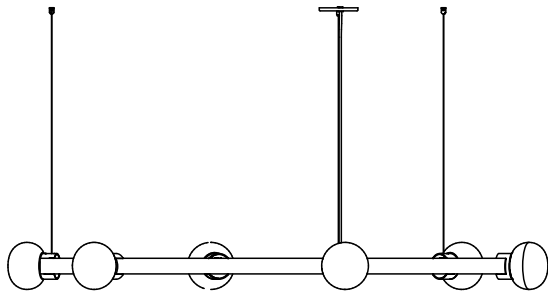
© RBW Studio LLC, 2013, 2020



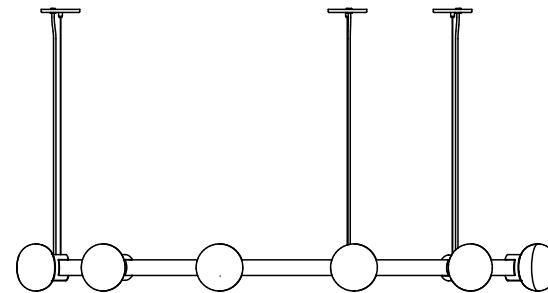
C4-6



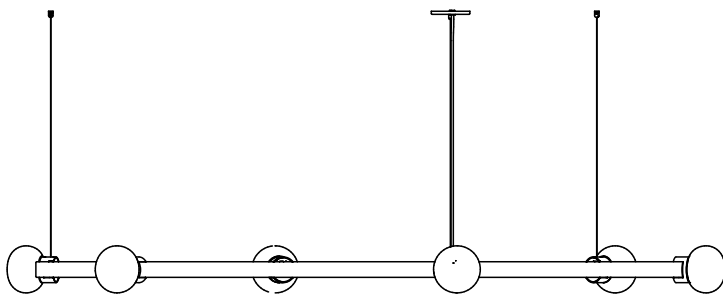
C4-12



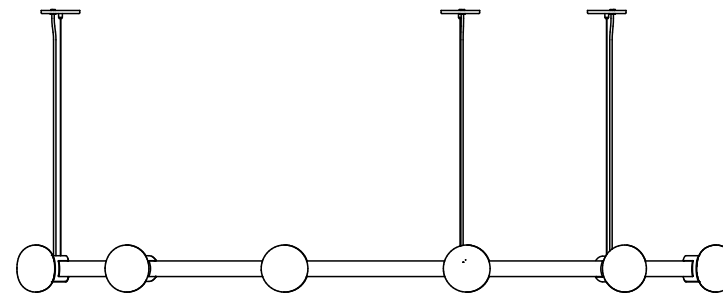
C6-6



C6-12

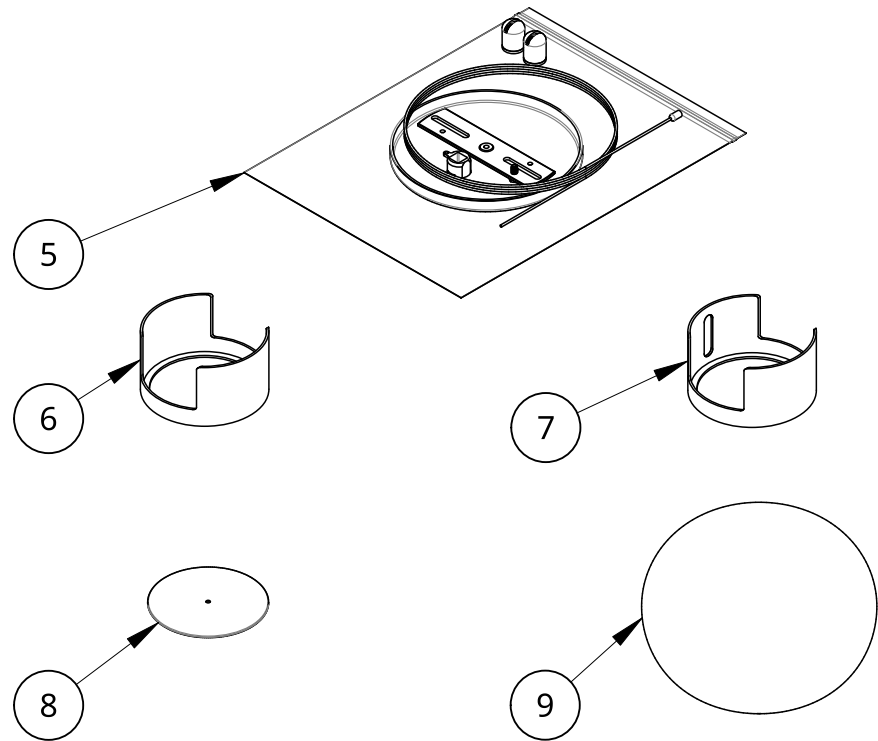
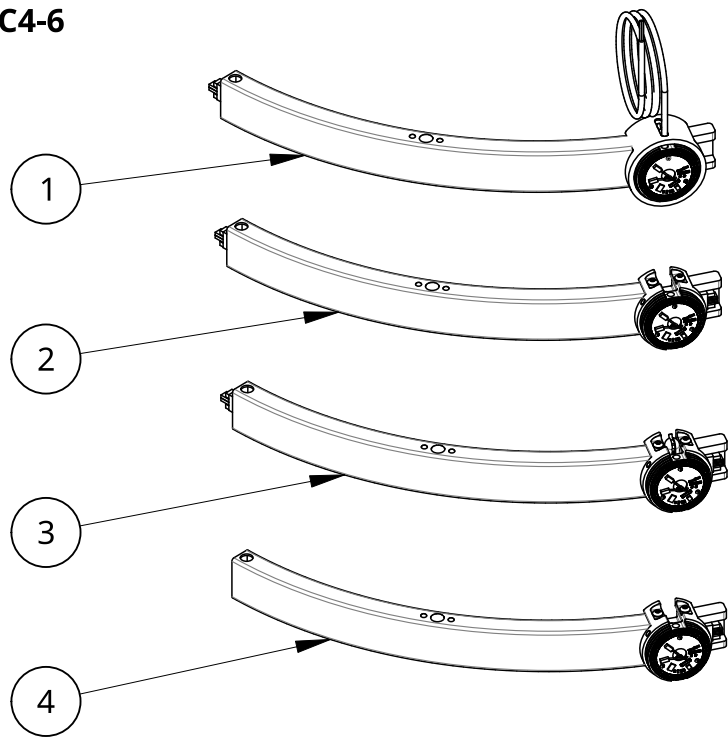


C8-6



C8-12

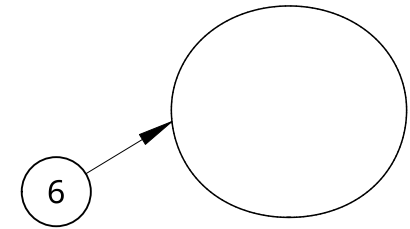
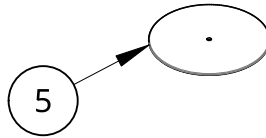
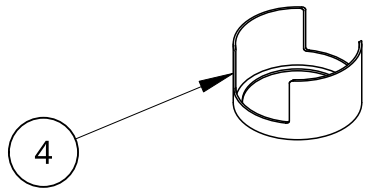
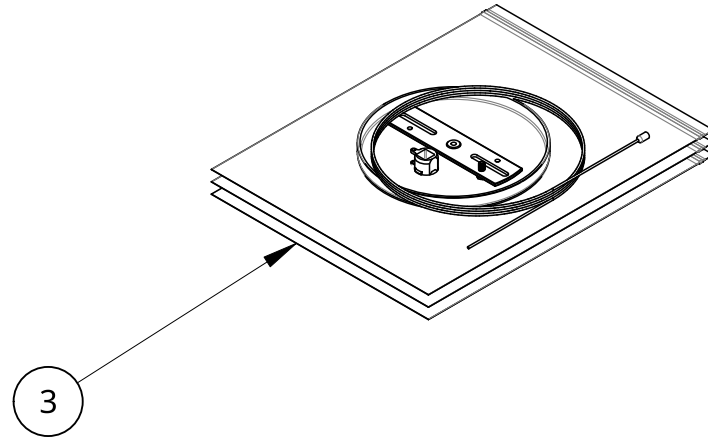
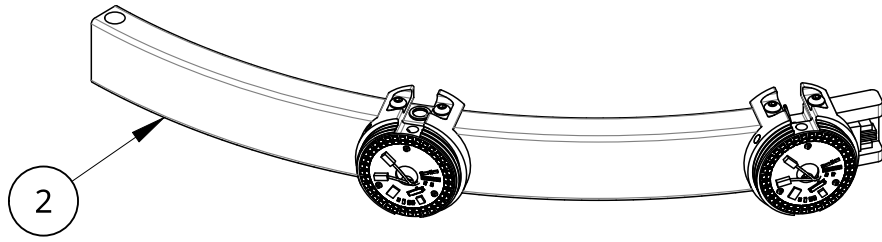
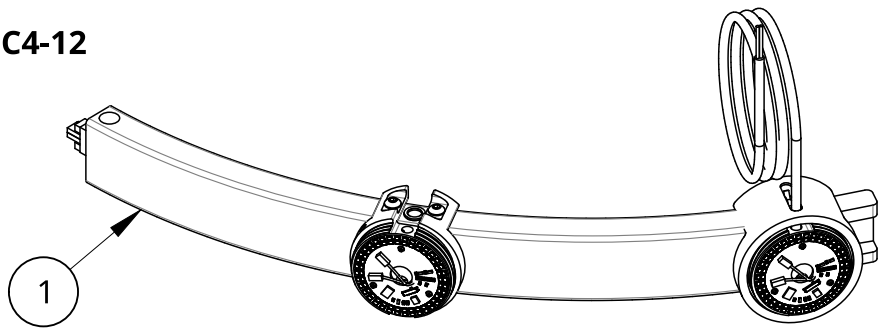
C4-6



Whats Included: Part Configurations May Vary

Item	Qty	Part number	Description
1	1	15297-27-RAW	Assembly: Cinema Ring Segment. 4' x 6 Globes - Solo/Bottom. Power Feed. 2700K CCT. Unfinished.
2	2	15299-27-RAW	Assembly: Cinema Ring Segment. 4' x 6 Globes - Solo. Thru Connection. No Gripper. 2700K CCT. Unfinished.
3	2	15298-27-RAW	Assembly: Cinema Ring Segment. 4' x 6 Globes - Solo. Thru Connection. Gripper. 2700K CCT. Unfinished.
4	1	15300-27-RAW	Assembly: Cinema Ring Segment. 4' x 6 Globes - Solo/Bottom. Short Connection. No Gripper. 2700K CCT. Unfinished.
5	1	15155	Package: Cinema Canopy Kit for Single Tier x 6 Globes. White.
6	3	12287-PC20	Cinema LED Mount Sleeve. No Slot. Matte White.
7	2	12288-PC20	Cinema LED Mount Sleeve. 1 Slot. Matte White.
8	6	12295-PC20	Cinema Back Cover. Matte White.
9	6	12286	Cinema Globe & Thread Ring

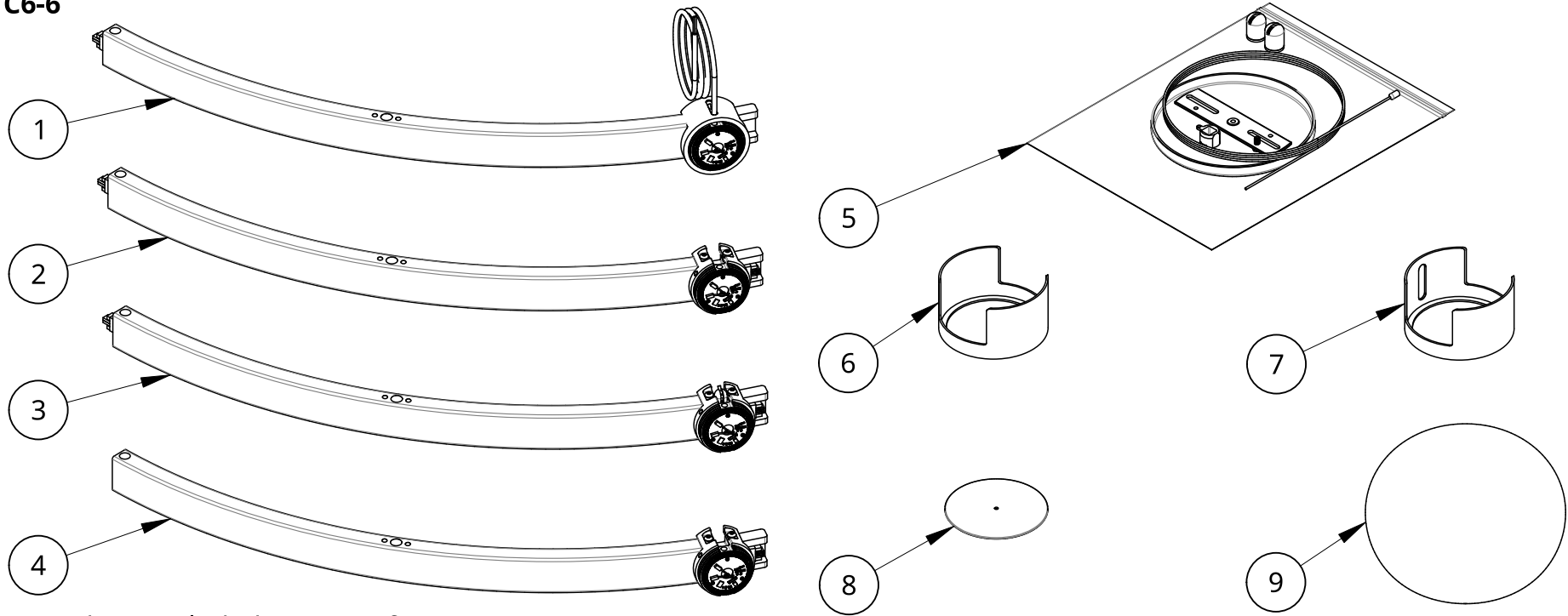
C4-12



Whats Included: Part Configurations May Vary

Item	Qty	Part number	Description
1	3	15311-27-RAW	Assembly: Cinema Ring Segment. 4' x 12 Globes - Solo/Bottom. Power Feed. 2700K CCT. Unfinished.
2	3	15309-27-RAW	Assembly: Cinema Ring Segment. 4' x 12 Globes - Top (Multi Rings). Non-Power Feed. 2700K CCT. Unfinished.
3	1	15156	Package: Cinema Canopy Kit for Single Tier x 12 Globes. White.
4	9	12287-PC20	Cinema LED Mount Sleeve. No Slot. Matte White.
5	12	12295-PC20	Cinema Back Cover. Matte White.
6	12	12286	Cinema Globe & Thread Ring

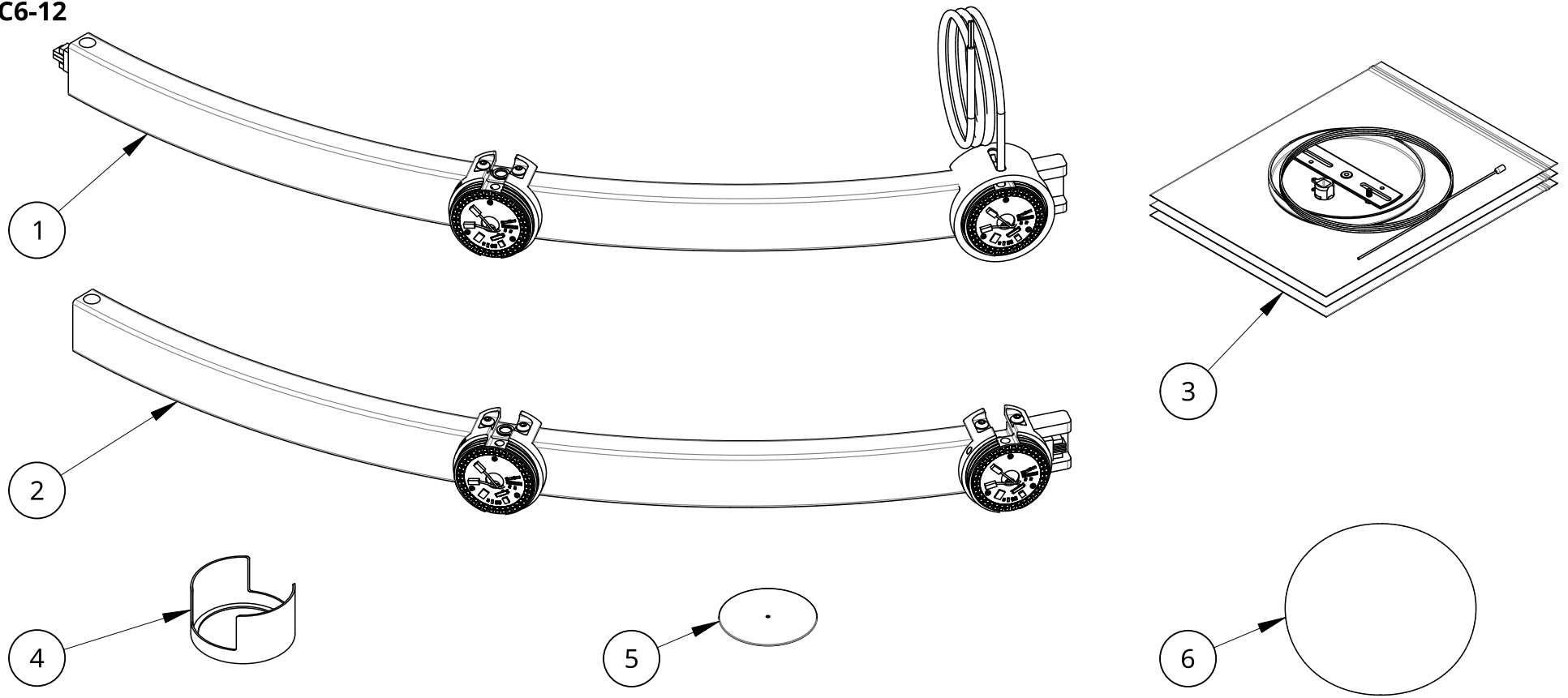
C6-6



Whats Included: Part Configurations May Vary

Item	Qty	Part number	Description
1	1	15312-27-RAW	Assembly: Cinema Ring Segment. 6' x 6 Globes - Solo. Power Feed. 2700K CCT. Unfinished.
2	2	15314-27-RAW	Assembly: Cinema Ring Segment. 6' x 6 Globes - Solo.Thru Connection. No Gripper. 2700K CCT. Unfinished.
3	2	15313-27-RAW	Assembly: Cinema Ring Segment. 6' x 6 Globes - Solo. Thru Connection. Gripper. 2700K CCT. Unfinished.
4	1	15315-27-RAW	Assembly: Cinema Ring Segment. 6' x 6 Globes - Solo. Short Connection. No Gripper. 2700K CCT. Unfinished.
5	1	15155	Package: Cinema Canopy Kit for Single Tier x 6 Globes. White.
6	3	12287-PC20	Cinema LED Mount Sleeve. No Slot. Matte White.
7	2	12288-PC20	Cinema LED Mount Sleeve. 1 Slot. Matte White.
8	6	12295-PC20	Cinema Back Cover. Matte White.
9	6	12286	Cinema Globe & Thread Ring

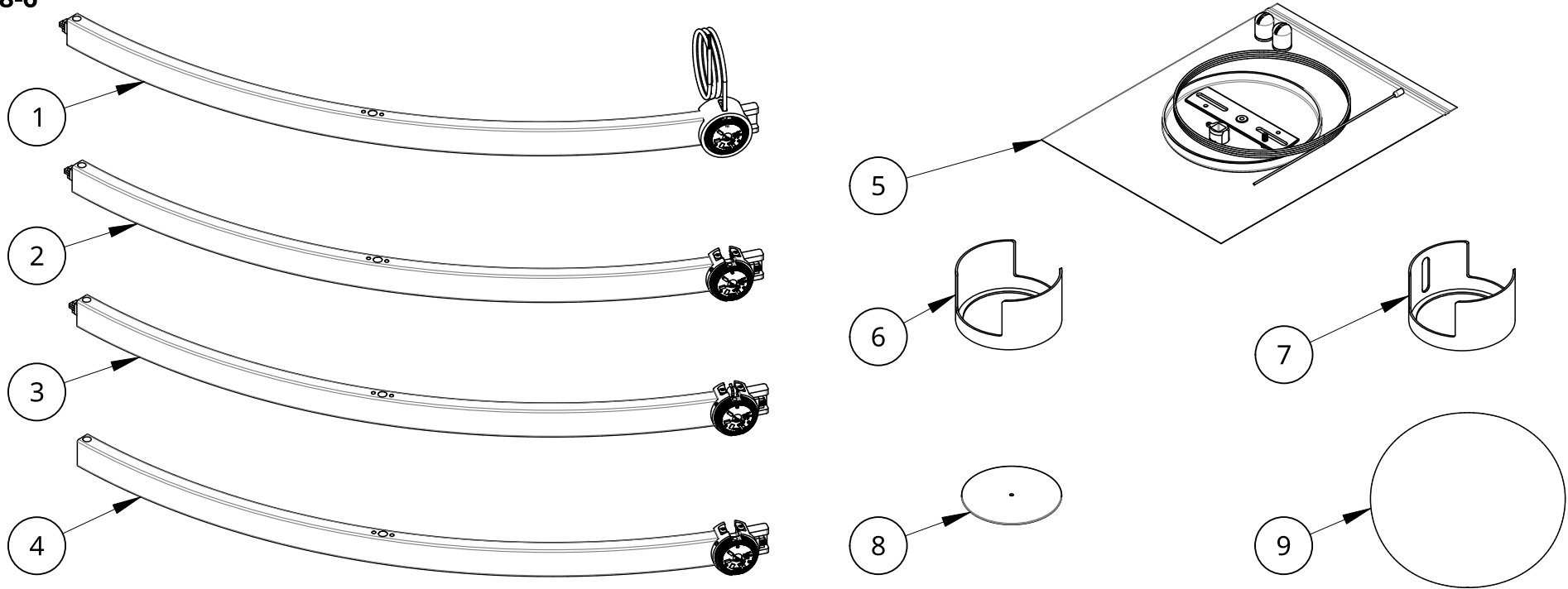
C6-12



Whats Included: Part Configurations May Vary

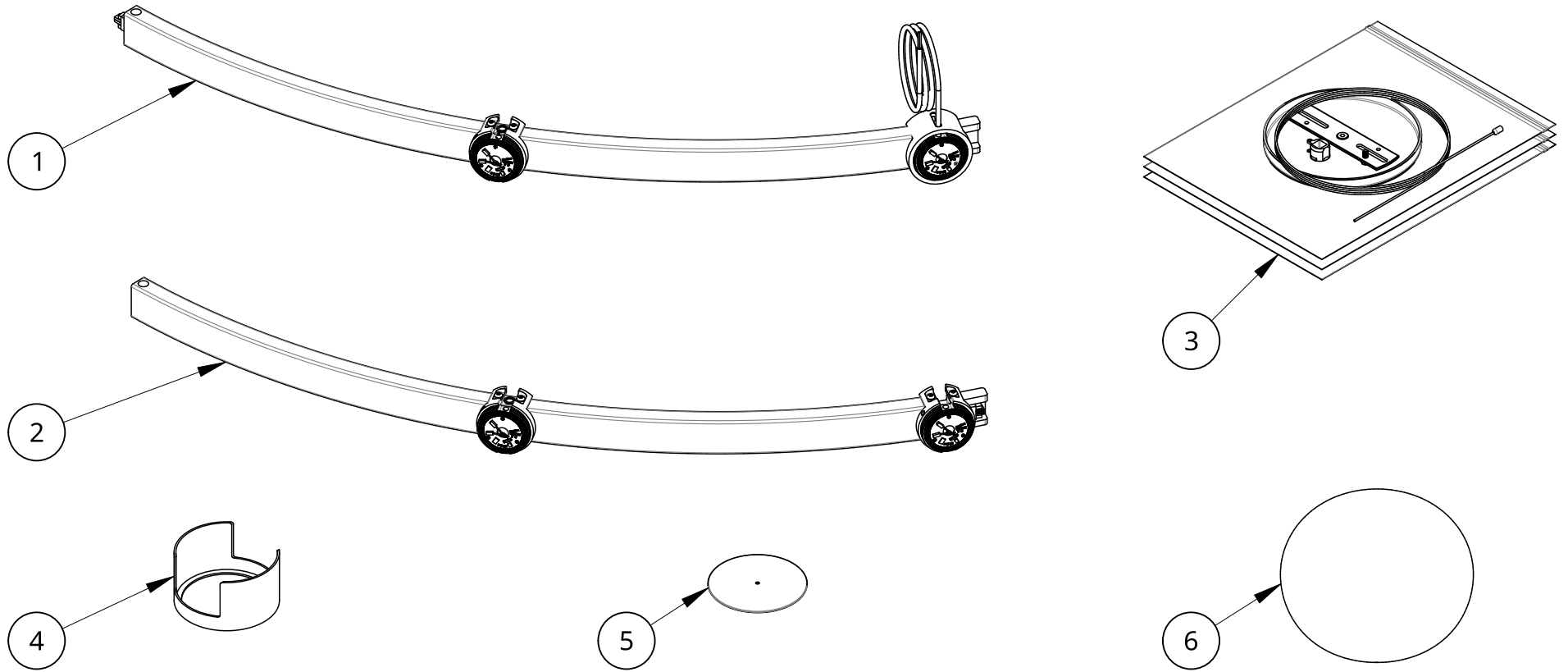
Item	Qty	Part number	Description
1	3	15320-27-RAW	Assembly: Cinema Ring Segment. 6' x 12 Globes - Solo. Power Feed. 2700K CCT. Unfinished.
2	3	15319-27-RAW	Assembly: Cinema Ring Segment. 6' x 12 Globes - (Multi Rings). Non-Power Feed. 2700K CCT. Unfinished.
3	1	15156	Package: Cinema Canopy Kit for Single Tier x 12 Globes. White.
4	9	12287-PC20	Cinema LED Mount Sleeve. No Slot. Matte White.
5	12	12295-PC20	Cinema Back Cover. Matte White.
6	12	12286	Cinema Globe & Thread Ring

C8-6



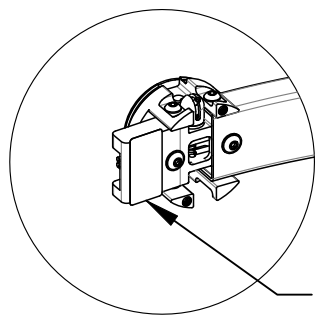
Whats Included: Part Configurations May Vary

Item	Qty	Part number	Description
1	1	15321-27-RAW	Assembly: Cinema Ring Segment. 8' x 6 Globes - Solo/Bottom. Power Feed. 2700K CCT. Unfinished.
2	2	15323-27-RAW	Assembly: Cinema Ring Segment. 8' x 6 Globes - Solo. Thru Connection. No Gripper. 2700K CCT. Unfinished.
3	2	15322-27-RAW	Assembly: Cinema Ring Segment. 8' x 6 Globes - Solo. Thru Connection. Gripper. 2700K CCT. Unfinished.
4	1	15324-27-RAW	Assembly: Cinema Ring Segment. 8' x 6 Globes - Solo/Bottom. Short Connection. No Gripper. 2700K CCT. Unfinished.
5	1	15155	Package: Cinema Canopy Kit for Single Tier x 6 Globes. White.
6	3	12287-PC20	Cinema LED Mount Sleeve. No Slot. Matte White.
7	2	12288-PC20	Cinema LED Mount Sleeve. 1 Slot. Matte White.
8	6	12295-PC20	Cinema Back Cover. Matte White.
9	6	12286	Cinema Globe & Thread Ring



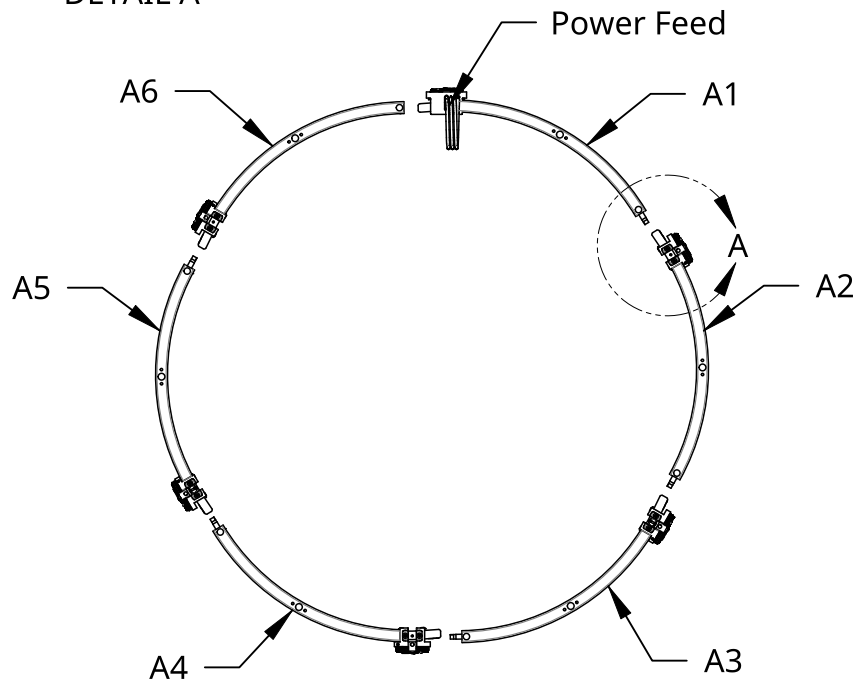
Whats Included: Part Configurations May Vary

Item	Qty	Part number	Description
1	3	15328-27-RAW	Assembly: Cinema Ring Segment. 8' x 12 Globes - Solo/Bottom. Power Feed. 2700K CCT. Unfinished.
2	3	15329-27-RAW	Assembly: Cinema Ring Segment. 8' x 12 Globes - (Multi Rings). Non-Power Feed. 2700K CCT. Unfinished.
3	1	15156	Package: Cinema Canopy Kit for Single Tier x 12 Globes. White.
4	9	12287-PC20	Cinema LED Mount Sleeve. No Slot. Matte White.
5	12	12295-PC20	Cinema Back Cover. Matte White.
6	12	12286	Cinema Globe & Thread Ring



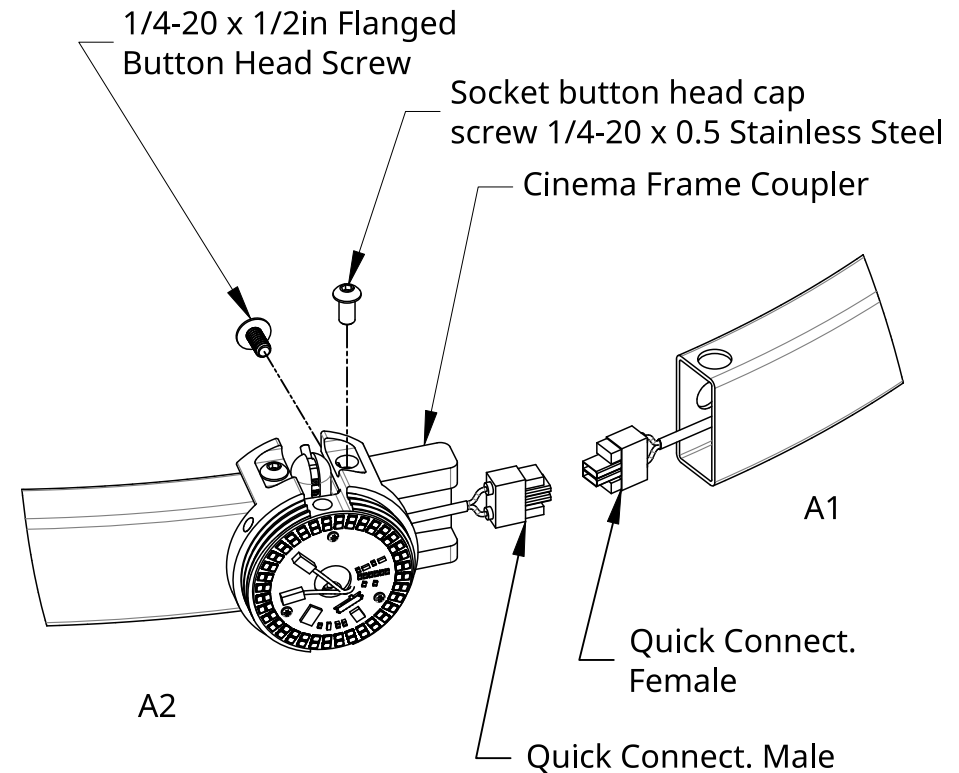
Cinema Segment Label

DETAIL A



To protect fixture finish, assemble fixture on a soft padded surface.

Assembly and installation requires 2+ persons

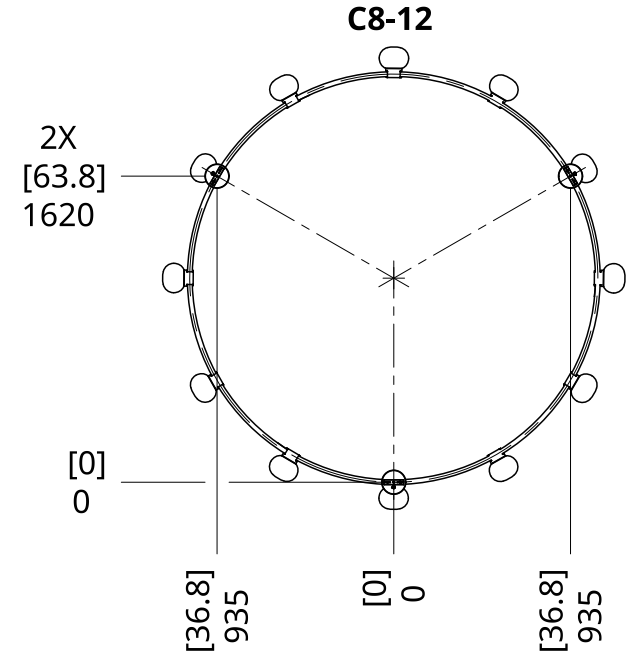
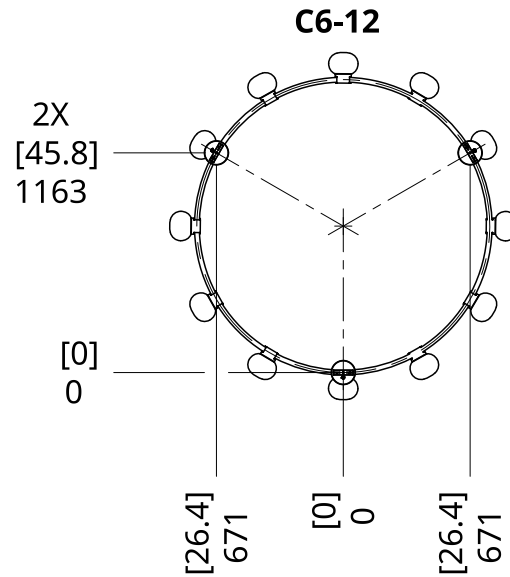
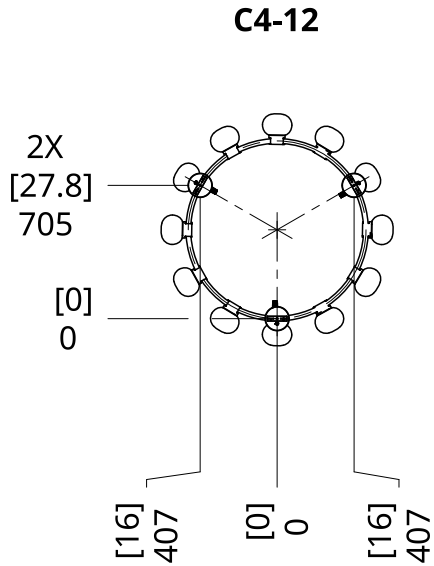
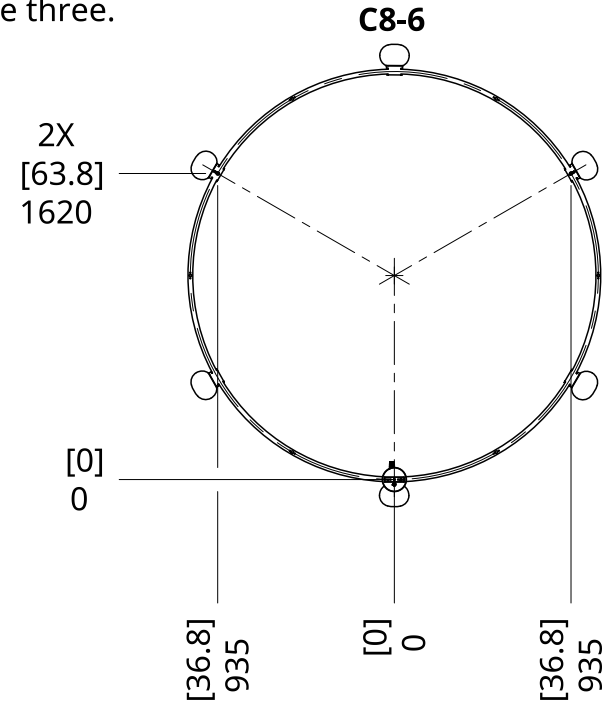
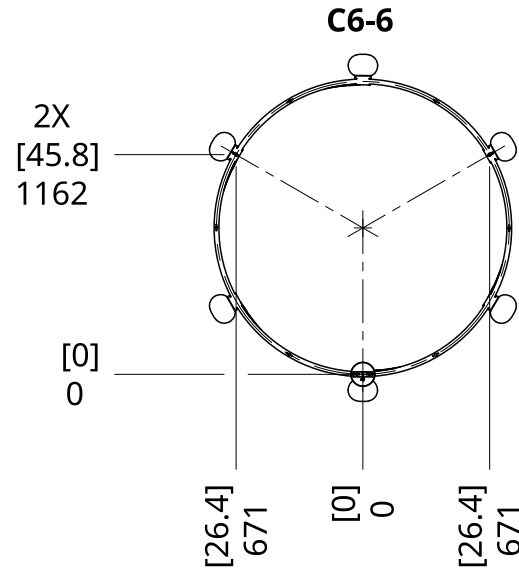
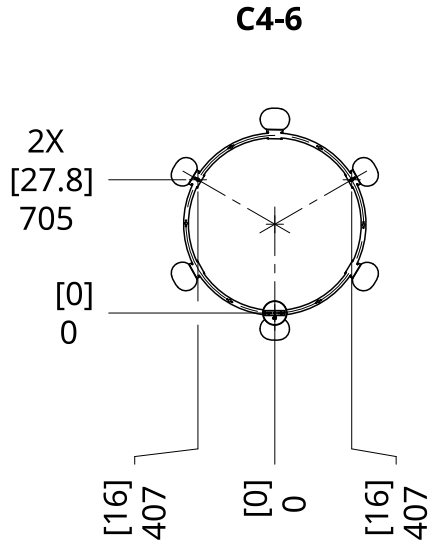


Installation - Frame Assembly

1. Start with Arc 1 (A1), connect Quick Connects. Male and Female together until click.
2. Remove Flanged and Button Head fasteners from the right side of Arc 2 (A2).
3. Insert Cinema Frame Coupler of A2 to A1, aligning holes in Frame with threaded holes in Coupler.
4. Re-insert previously removed fasteners to fully fasten A1 to A2.
5. Repeat steps 1-4 for the remaining frame assemblies.

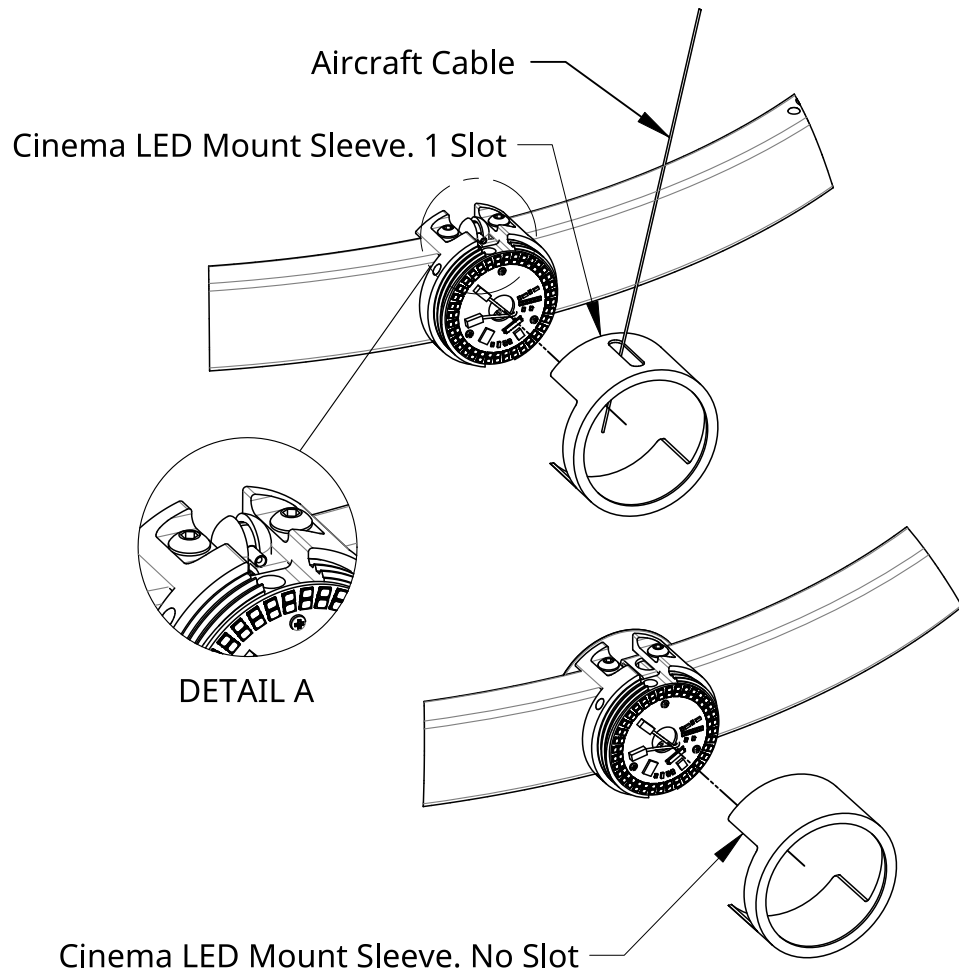
Canopy center and coupler locations

* 6 Globe configurations require a single junction box, 12 Globe configurations require three.



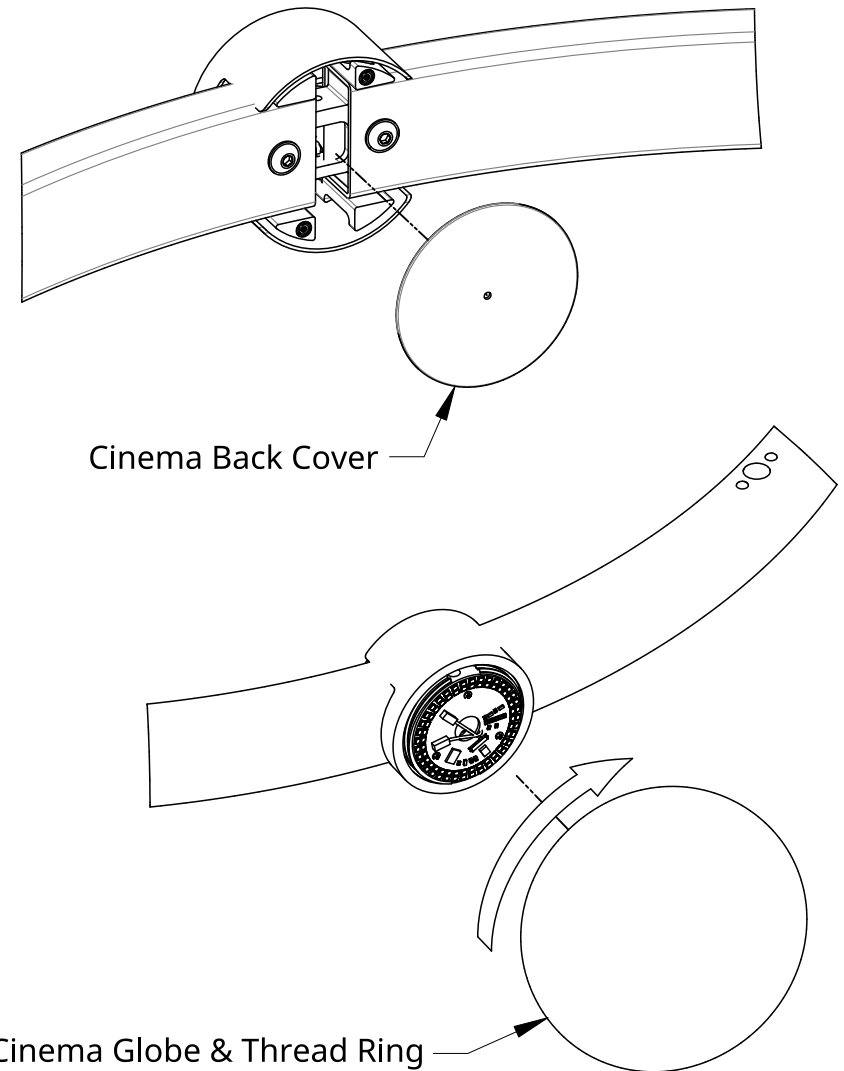
* After marking desired mounting locations on ceiling, see Canopy Install Instructions 13496 for information on ceiling canopy and hardware installation.

* Fixture hanging steps require 2 or more people



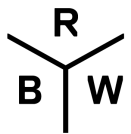
Installation - Mount Sleeves & Hang Cables

1. For each LED Module with a Gripper as shown in Detail A you must use a Slotted Mount Sleeve.
2. Feed Aircraft Cables through Mount Sleeve Slots and into Grippers.
3. Once Aircraft Cables are adjusted to desired height trim excess cable.
4. For the rest of LED Modules use Mount Sleeve w/ No Slot. to cover module.



Installation - Back Cover & Globe

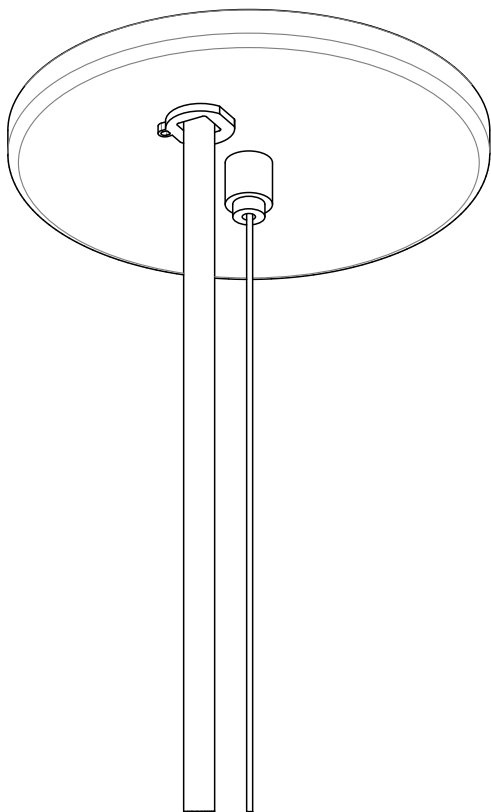
1. Once all Mount Sleeves are in place and all excess cable is trimmed, Snap Cinema Back Cover onto magnetic back of LED module.
2. Carefully thread Cinema Globe & Thread Ring clockwise onto face of LED Module to fasten Mount Sleeve.
3. Congratulations! End of guide.



Flat Canopy

13496 rA

Round
Cable Coupler



CAUTION:

Before starting, turn off power at main circuit panel.

ADVERTENCIA:

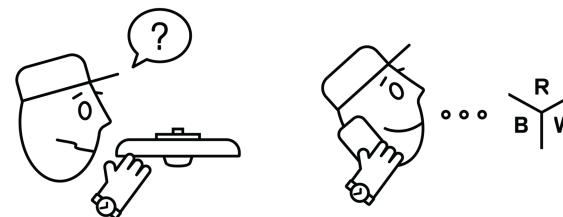
Antes de comenzar la instalación, apague la corriente en el tablero principal.

ATTENTION:

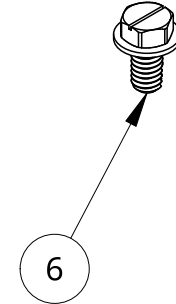
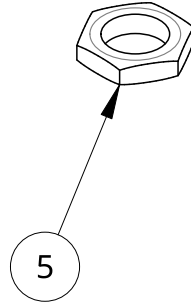
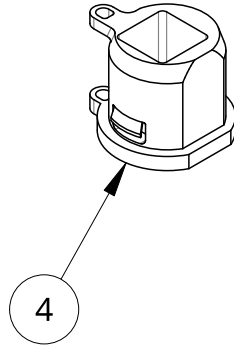
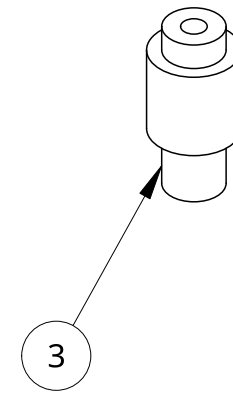
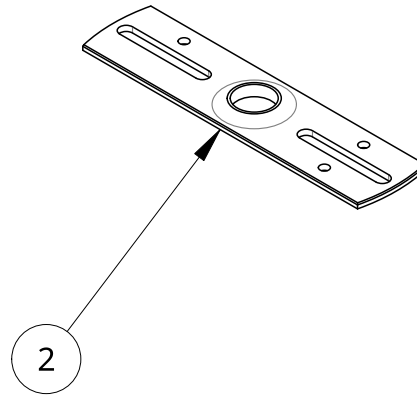
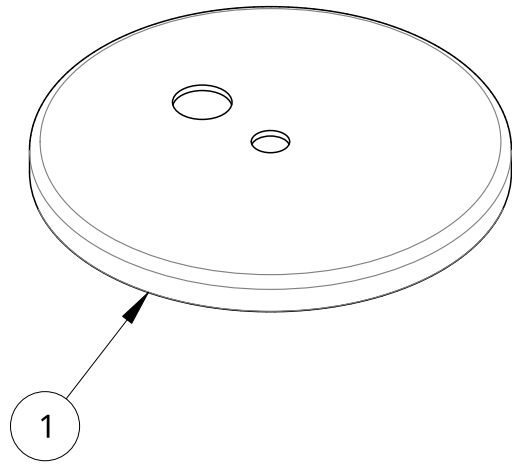
Coupez l'alimentation avant de procéder à l'installation.



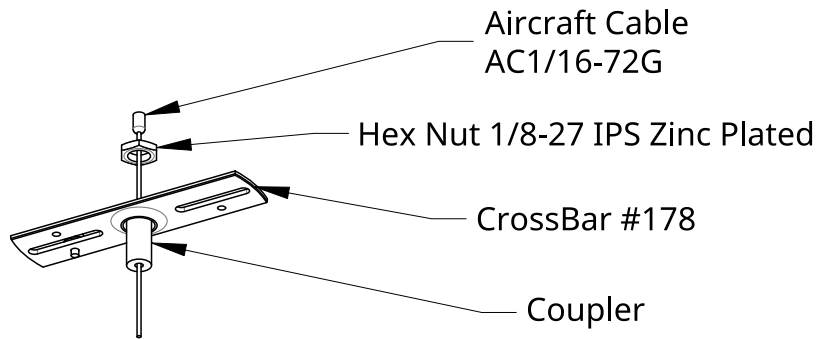
Calling for backup? Scan above to contact our team.



www.RBW.com
+1 212 388 1621
support@RBW.com
© RBW Studio LLC, 2013, 2020

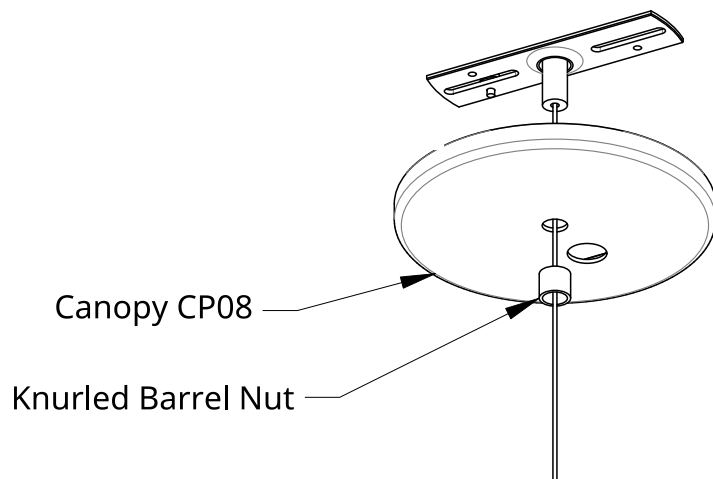


Item	Qty	Part number	Description
1	1	10795	Canopy CP08, White
2	1	10782	CrossBar #178/#58
3	1	12619	2 Piece Cable Coupler
4	1	10878	Heyco Strain Relief 1801
5	1	10869	Hex Nut 1/8-27 IPS Zinc Plated
6	1	92597A800	8-32 x 5/16" Electrical Grounding Screw



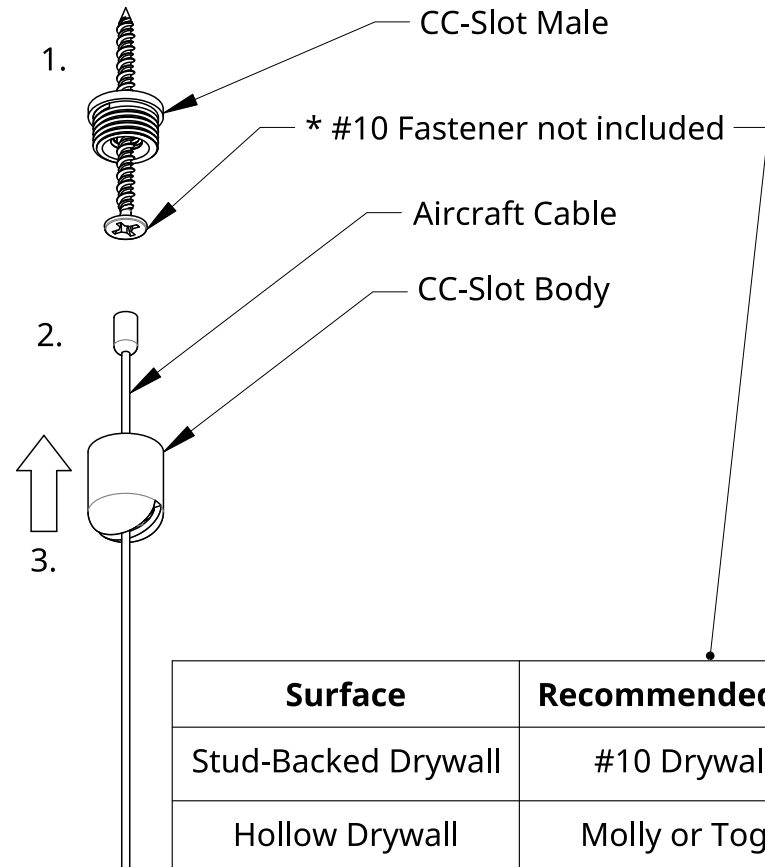
Installation - Crossbar

1. Thread Coupler into Crossbar.
2. Add Hex Nut and Cable.
3. Screw Crossbar into junction box.



Installation - Canopy

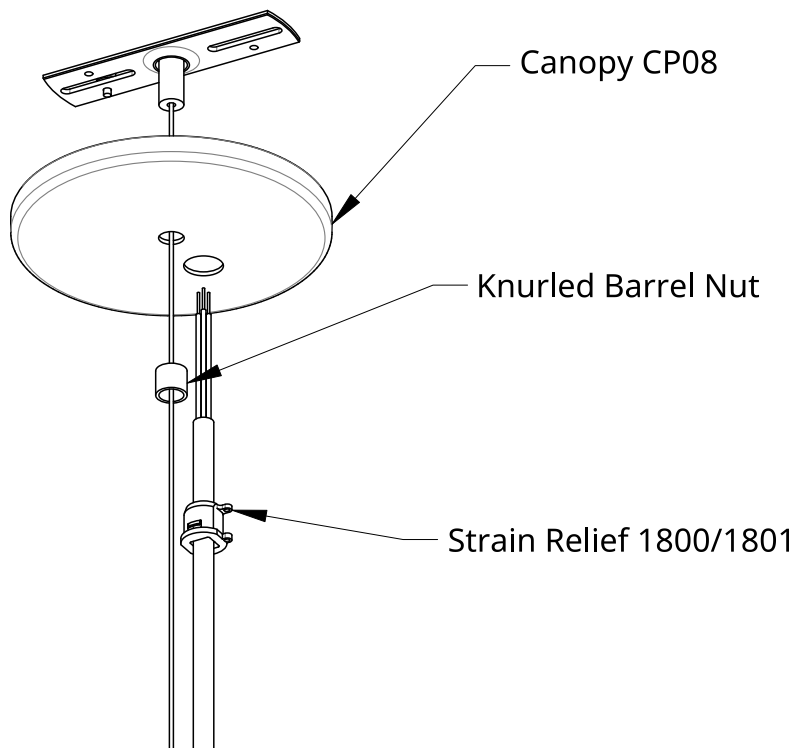
4. Place Canopy on Coupler at ceiling.
5. Screw Knurled Barrel Nut onto Coupler to retain Canopy.
6. Do not trim cable at this time.



Surface	Recommended Fastener
Stud-Backed Drywall	#10 Drywall Screw
Hollow Drywall	Molly or Toggle Bolt
Concrete Slab	10-24 Expanding Anchor
Wood	#10 Wood Screw

Installation - CC-Slot Coupler

7. Use appropriate fastener to secure CC-Slot Male to desired mounting location.
8. Pass Aircraft Cable through CC-Slot.
9. Thread CC-Slot onto CC-Slot Male to secure Aircraft Cable in the Coupler.
10. Raise luminaire and feed Aircraft Cables into corresponding grippers.
11. Adjust to desired drop height, trim excess Cable.



Installation - Aircraft Cables

12. Unthread Knurled Barrel Nut and lower Canopy.
13. Insert cord into Strain Relief.
14. Insert cord and Strain Relief into Canopy.
15. Connect wires from cord to power.
16. Raise Canopy and Knurled Barrel Nut into place.
17. Check height and adjust to level. Trim cables.
18. Congratulations! End of guide.