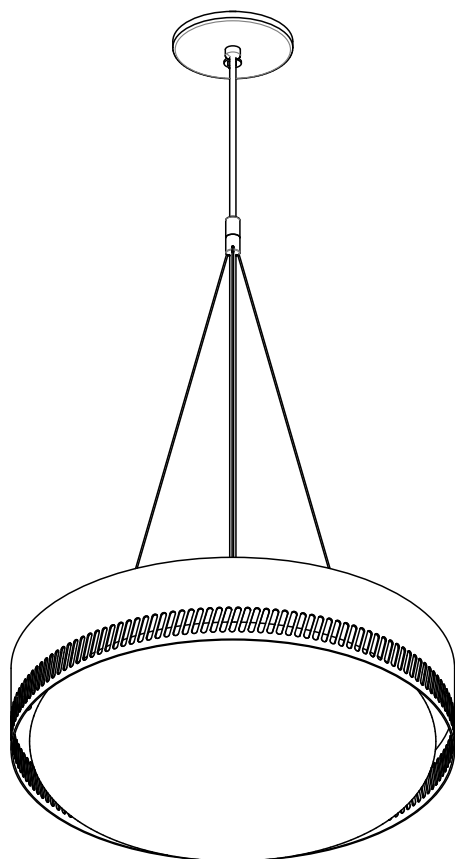




Centro

21560 rB

Pendant
AC Input



CAUTION:

Before starting, turn off power at main circuit panel.

ADVERTENCIA:

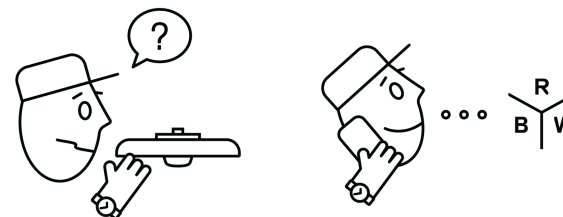
Antes de comenzar la instalación, apague la corriente en el tablero principal.

ATTENTION:

Coupez l'alimentation avant de procéder à l'installation.



Calling for backup? Scan above to contact our team.

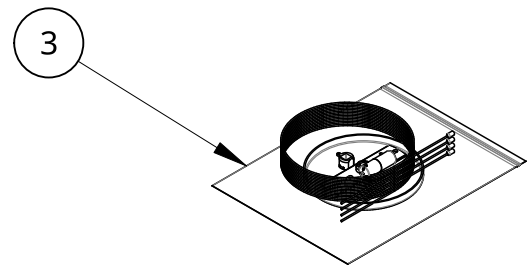
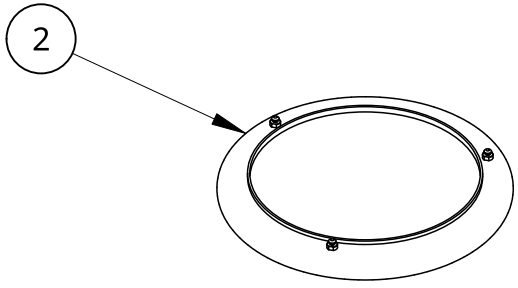
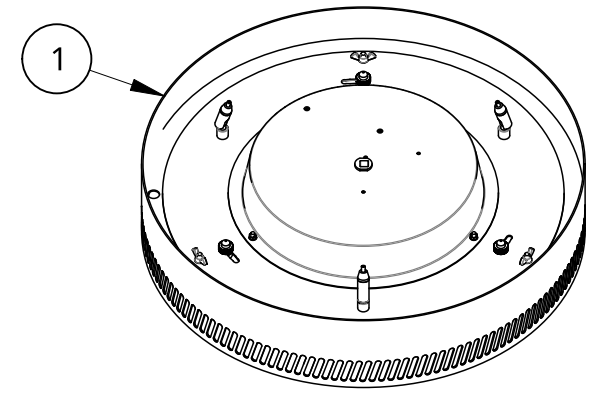


www.RBW.com

+1 212 388 0399

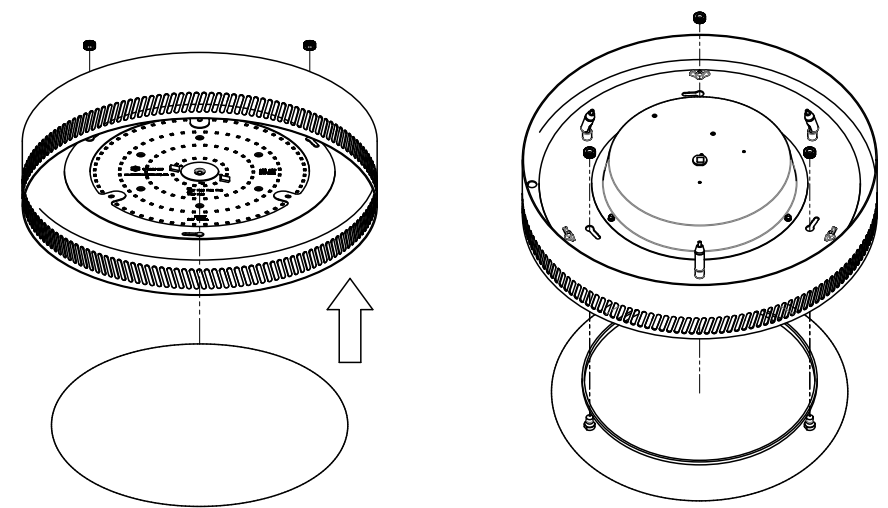
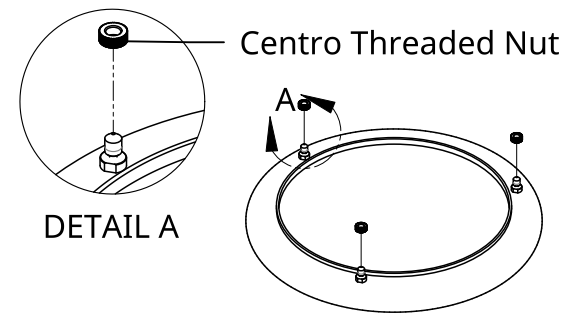
support@RBW.com

© RBW Studio LLC, 2013, 2020



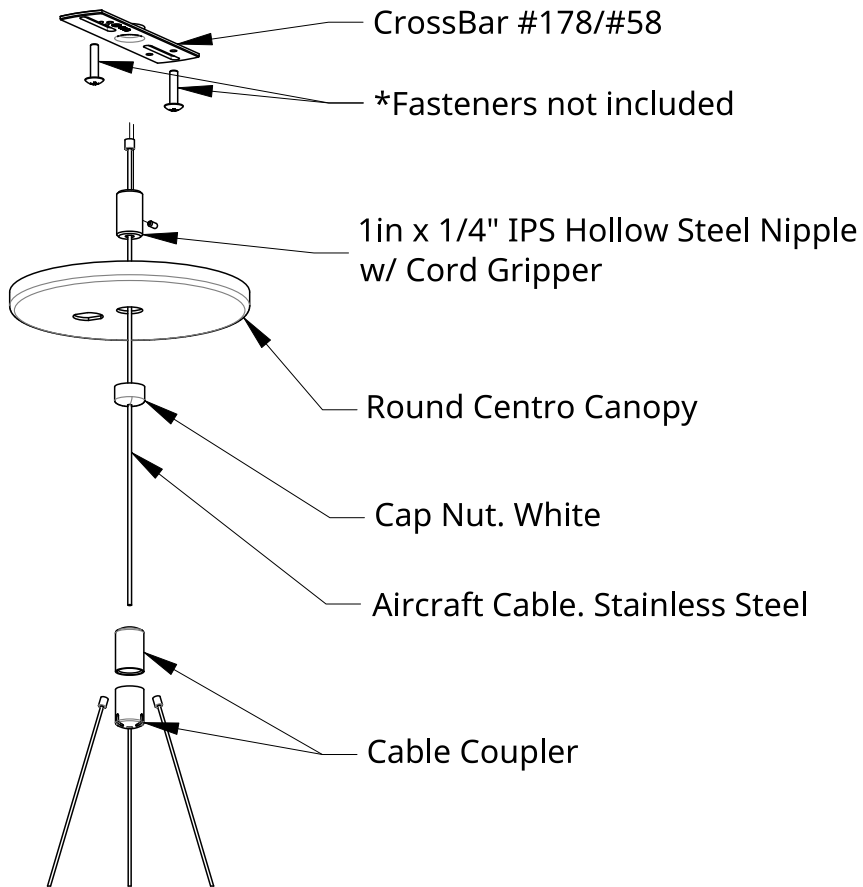
Item	QTY	Description
1	1	Centro Pendant
2	1	Centro Diffuser
3	1	Centro Pendant Hardware

! Diffuser may fall if not properly secured



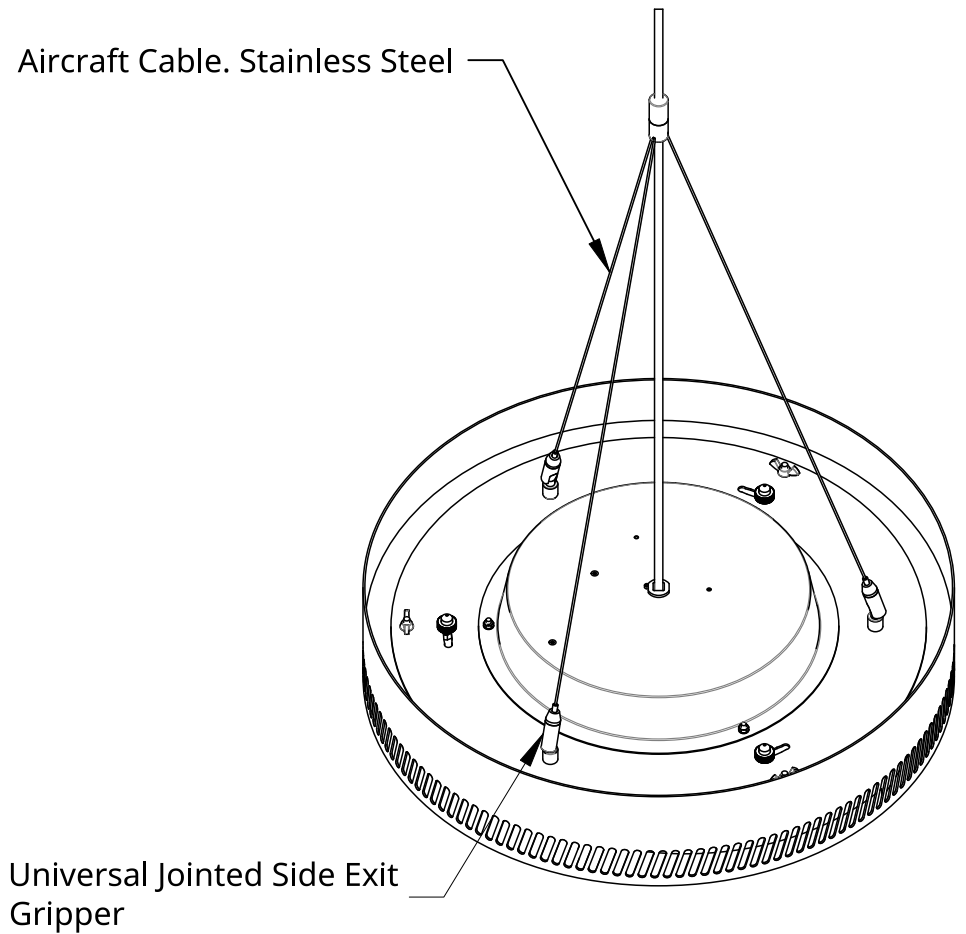
Installation - Diffuser

1. Ensure Centro Threaded Nuts are not installed in Diffuser
2. Place Centro Diffuser in the Centro Pendant Assembly, aligning Diffuser Retention Bosses with notches in the Diffuser.
3. Install Centro Threaded Nuts From the Top. Tighten Nuts to secure Diffuser



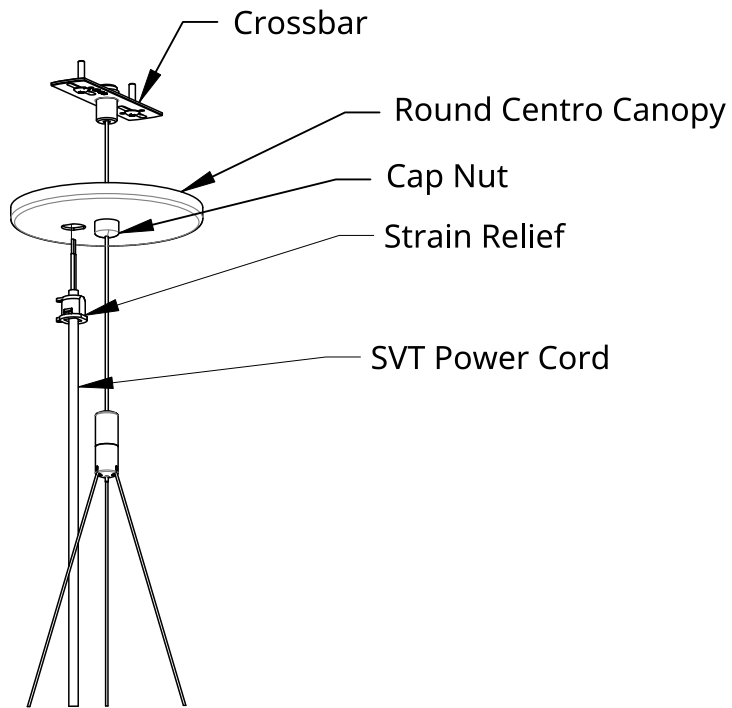
Installation - Canopy Kit

1. Secure Crossbar to desired mounting location with desired fasteners (not included).
2. Feed Shorter Aircraft Cable Through IPS Nipple, capturing swaged end into Nipple.
3. Secure swaged end by fastening the IPS Nipple set screw.
4. Pass shorter aircraft cable through canopy and cap nut
5. Thread 1in x 1/4" IPS Nipple into Crossbar.
6. Feed 4 Aircraft Cables through Cable Coupler.
7. Raise Canopy so that 1in x 1/4" IPS Nipple passes thru center hole. Secure Canopy with Cap Nut.



Installation - Cable Gripper and Cables

1. Feed Cable through Grippers on fixture to desired hang height.
2. Trim excess Cable as needed.



Page intentionally left blank

Installation - Strain Relief and Power Cord

1. Once Cables are fully secure to desired hang height, unthread Cap Nut and lower Round Centro Canopy.
2. Secure Strain Relief to SVT Power Cord and snap into Round Centro Canopy.
3. Strip Power Cord jacket exposing leads, and connect Black (L) and White (N) driver leads to mains voltage, connect ground lead (GND), and connect dimming leads if applicable.
4. Raise Round Centro Canopy and secure with Decorative Cap Nut.
5. Congratulations! End of guide.