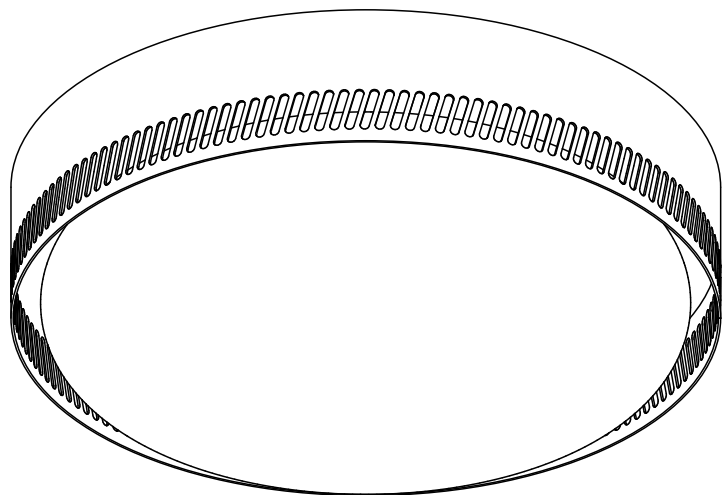


Centro

21561 rB

Flush Mount
AC Input



CAUTION:

Before starting, turn off power at main circuit panel.

ADVERTENCIA:

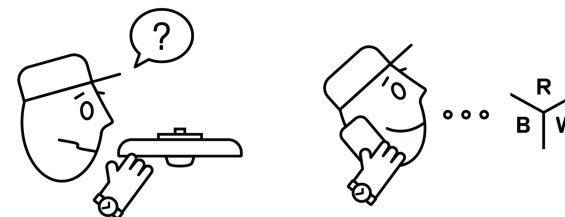
Antes de comenzar la instalación, apague la corriente en el tablero principal.

ATTENTION:

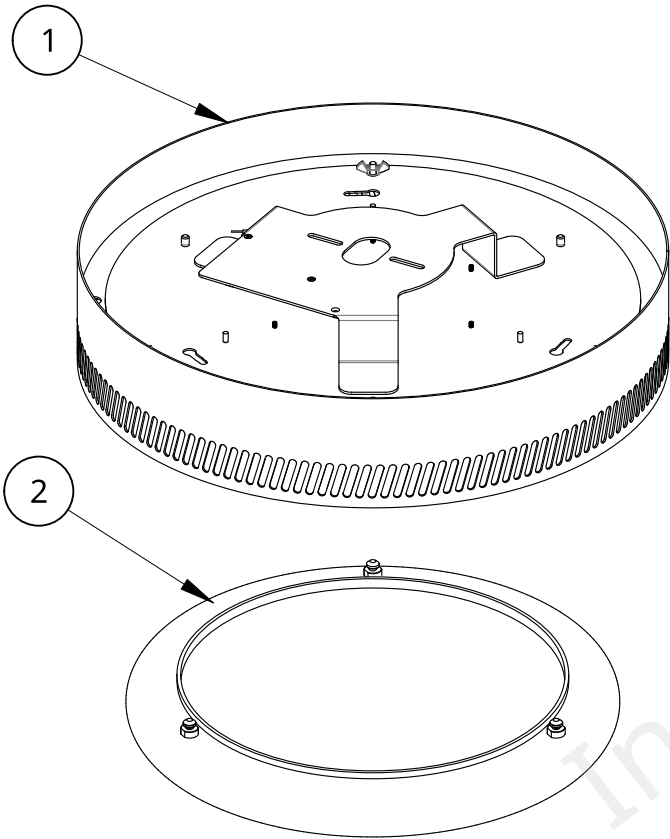
Coupez l'alimentation avant de proceder à l'installation.



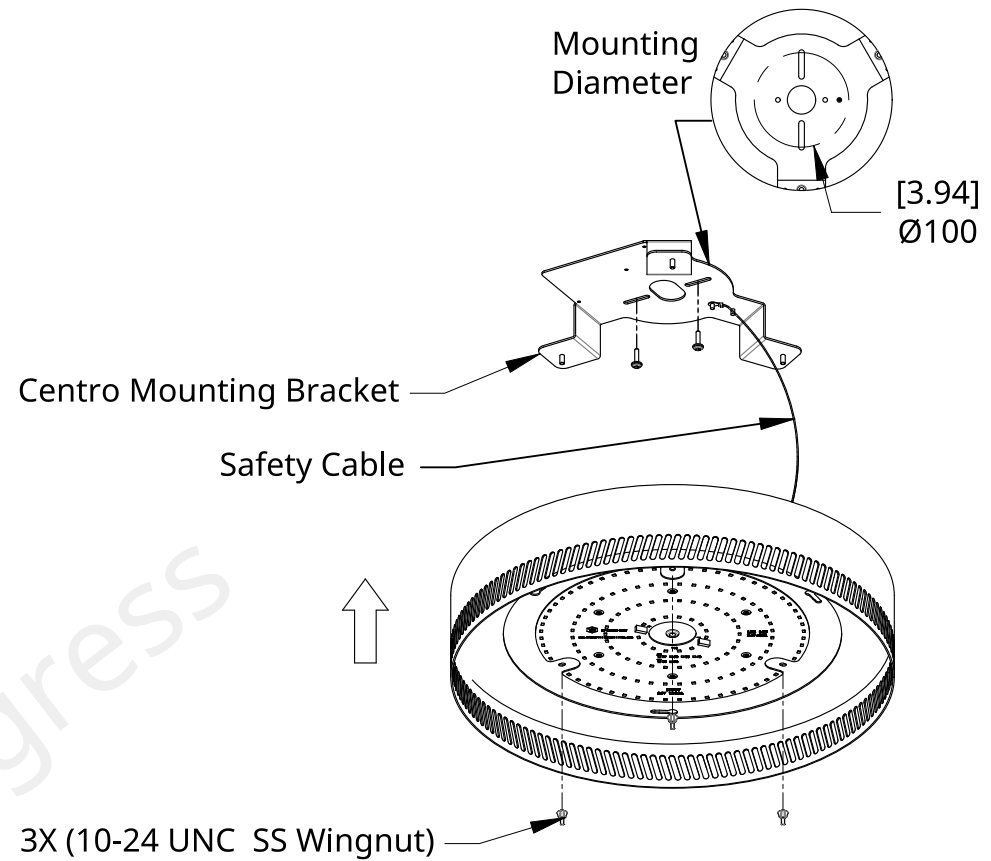
Calling for backup? Scan above to contact our team.



www.RBW.com
+1 212 388 0399
support@RBW.com
© 2023, RBW Studio LLC



Item	QTY	Description
1	1	Centro Flush Mount
2	1	Centro Diffuser

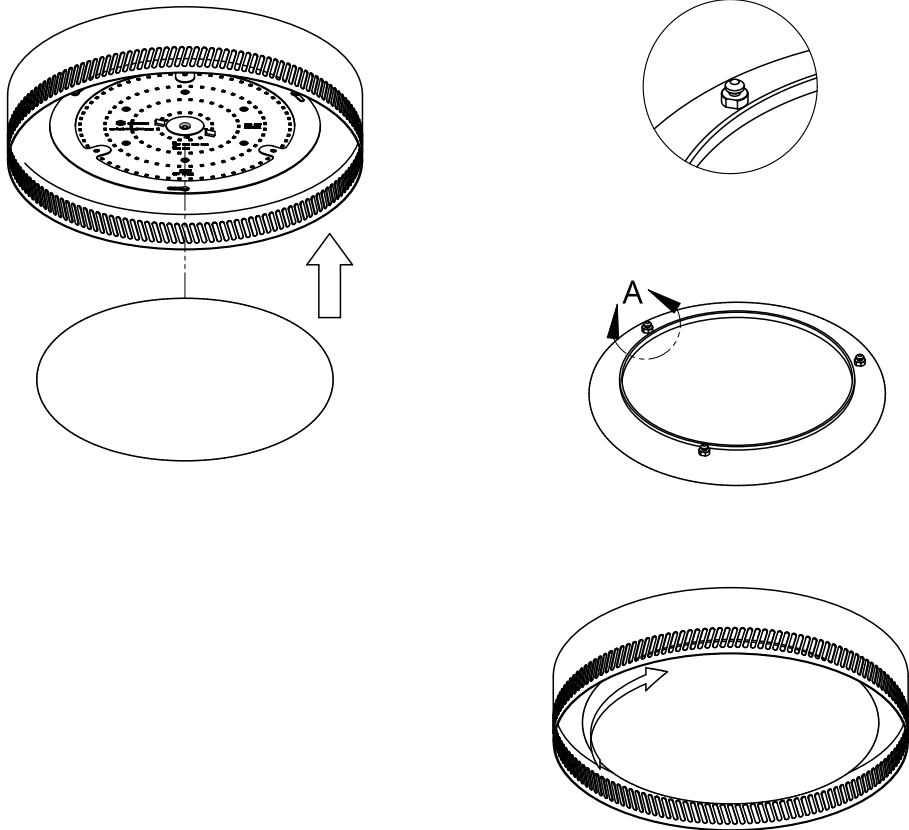


Installation - Flushmount

1. Remove the Diffuser and unscrew 10-24 Wingnuts from threaded studs.
2. Fasten the Mounting Bracket to the desired mounting surface using included fasteners and washers.
3. While Centro Housing is hanging from the safety cable, connect Black (L) and White (N) driver leads to mains voltage, connect ground strap (GND), and connect dimming leads if applicable.
4. Raise the Centro housing up to the Mounting Bracket allowing threaded studs to pass through.
5. Fasten the Wingnuts onto the threaded studs to secure the parts.



Diffuser may fall if not properly secured.



Installation - Diffuser

6. Raise the Diffuser up to the Centro housing aligning Diffuser Retention Screws with notches in the Diffuser.
7. Rotate Diffuser clockwise approximately 20 degrees or until Diffuser stops rotating.
8. Congratulations! End of guide.

Page intentionally left blank