



GARDEN AND POETRY
2025

inverlight



FORGED BY NATURE

Inspiration derived from nature, often referred to as 'biophilic design,' is a creative approach that seeks to incorporate elements and principles of nature into design and creation processes.

Light in nature is a fundamental element that plays a crucial role in natural ecosystems and significantly influences life on Earth.

Its importance underlines the need to protect and conserve natural ecosystems and to consider artificial lighting and its potential interference with the natural environment.

Good artificial lighting should be designed to respect the natural surroundings.

This means that it should minimise light pollution so as not to disturb nocturnal wildlife or alter natural ecosystems.

The planning and implementation of environmentally sensitive lighting solutions are essential to achieve these goals.

At Inverlight these principles are held in high regard.





INOX



BROWNTech



NATURALBLACK

THE COLORS

The material is one but the colors are three: **inox**, **browntech** and **naturalblack**.

The **inox** color is the classic tone of this material.

Browntech is a brown color tending to opaque brown with slight irregular shades.

It is a color obtained after years of research and experimentation through a process that allows us to obtain a transformation of the stainless steel surface without adding other materials such as paints or various protective products. This allows to obtain a very natural effect, with the presence of small differences in tones and shades, as it happens with materials such as wood, stone or granite.

Naturalblack is obtained with a special very opaque painting on several layers that combines exceptional durability with an aesthetic effect that mix well with the environment and the landscape.



Carnoustie mini





LED 1,5W / 150lm / 24V / H 400 mm

CNMP1H1 ■ ■ ■ ■

LED 1,5W / 150lm / 24V / H 600 mm

CNMP1H2 ■ ■ ■ ■

LED 1,5W / 150lm / 24V / H 800 mm

CNMP1H3 ■ ■ ■ ■

Accessories

ZA005 Housing

ZA006 Spike

■ LED color

1 2200 K

2 2700 K

3 3000 K

Finishing

IN Inox

BT Browntech

NB Naturalblack

Drivers 24V p. 286

Carnoustie mini

CE LED IP65 IK07 24V

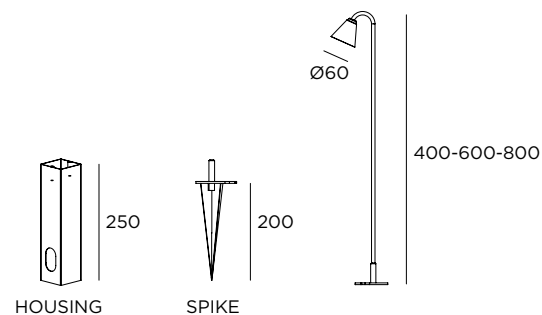
Stainless steel AISI 316L

Fixing to the ground with spike or housing

Supplied with 3 mt cable

Opal diffuser

Driver 24V not included





inverlight

via P. Stucchi, 2 \, 20872 Cornate d'Adda (MB) Italy

tel. +39 039 6060754

www.inverlight.it \ info@inverlight.it