

BROKIS®

# COMET

CM19388

ROUND - PC1375, PC1376, PC1377 | SQUARE - PC1378, PC1379, PC1380



### COMPONENTS INCLUDED WITH UNIT:

- 1× power cable with fixture
- 1× ceiling canopy
- 1× glass shade
- 2× set screw M5×16
- 2× set screw M4×16
- 1× hex key size 2.5
- 1× hex key size 2
- 1× pair cotton gloves
- 1× installation manual

### WARNING:

**Installation must be carried out by a qualified electrician only!**

**Switch off power at main circuit panel prior to installation!**

**The manufacturer assumes no liability for damage occurring in transport or resulting from incorrect installation.**

**Installation time: 30 minutes / 2 persons**



BROKIS®

BROKIS S.R.O.  
ŠPANILOVA 1315/25  
163 00 PRAHA 6 - ŘEPY  
CZECH REPUBLIC

ORG. ID 64940799  
VAT ID CZ64940799  
C 42174 MĚSTSKÝ SOUD  
V PRAZE

TEL +420 567 211 517  
TECHNICAL@BROKIS.CZ  
INFO@BROKIS.CZ  
WWW.BROKIS.CZ



### CLEANING THE GLASS

**BROKIS upholds only the highest possible quality standards. Prior to shipping, the light undergoes several quality controls and stages of cleaning. Because transportation, storage, and the amount of time that passes between packing at our plant and subsequent unpacking by the client can affect the light in different ways, we strongly recommend cleaning it prior to assembly.**

**The glass must first be rinsed in warm water, and a dish detergent may be used to remove all foreign particles, dust, and grease. Repeat the process if necessary and then dry the glass thoroughly with a paper towel.**

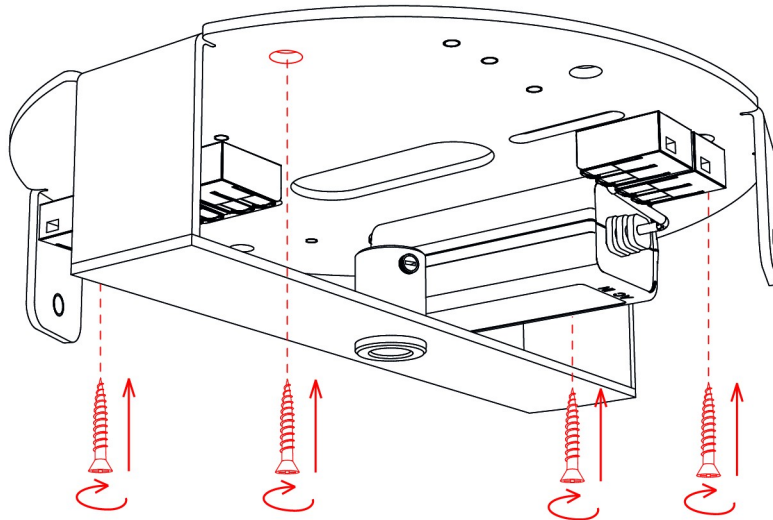
**Recommendation: Do not use mineral spirits, highly concentrated thinners, or other substances not intended for use on glass surfaces. Do not use any cleaning agents containing silicone, as they may leave a film and attract dust and smudges.**

**PRIOR TO SHIPPING, THE FUNCTIONALITY OF EACH LIGHT AND ITS COMPONENTS IS CHECKED THOROUGHLY. THE MANUFACTURER ASSUMES NO LIABILITY FOR THE MISHANDLING OF PRODUCTS.**



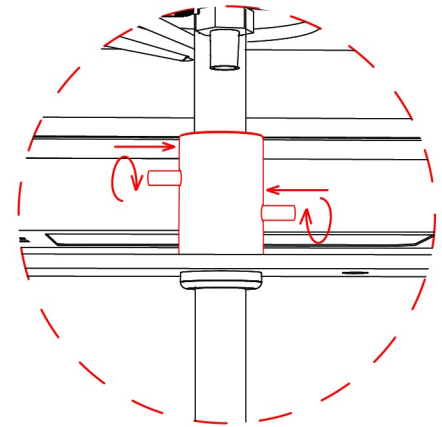
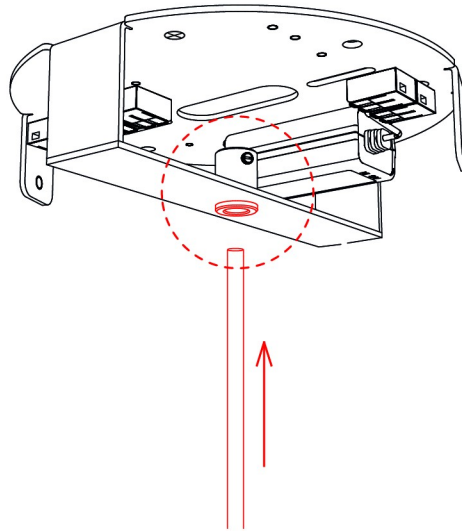
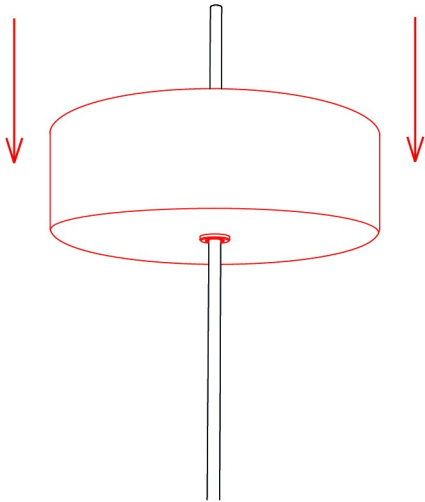
## 1. INSTALLING THE CEILING CANOPY BRACKET

Using anchors of sufficient strength (not included), attach the bracket to the ceiling. With regard to various types of ceilings, we recommend consulting installation with an expert. The manufacturer assumes no liability for incorrect installation, the use of improper anchors, or defects in the material to which this load-bearing component is secured.



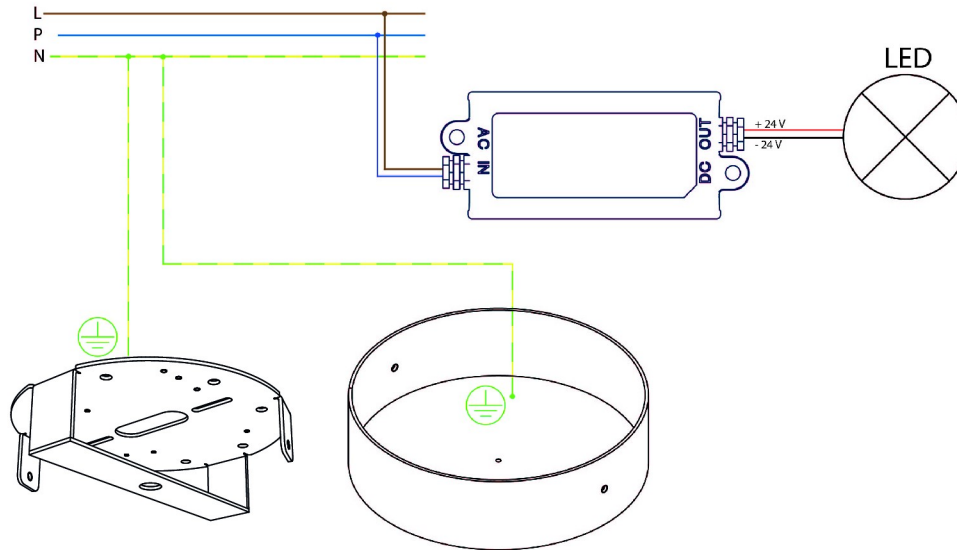
## 2. INSTALLING THE LIGHT

Slide the ceiling canopy onto the power cable. Next, pass the cable through the plastic stop in the canopy bracket. Adjust the length of the cable as needed and secure it in place with the two set screws.



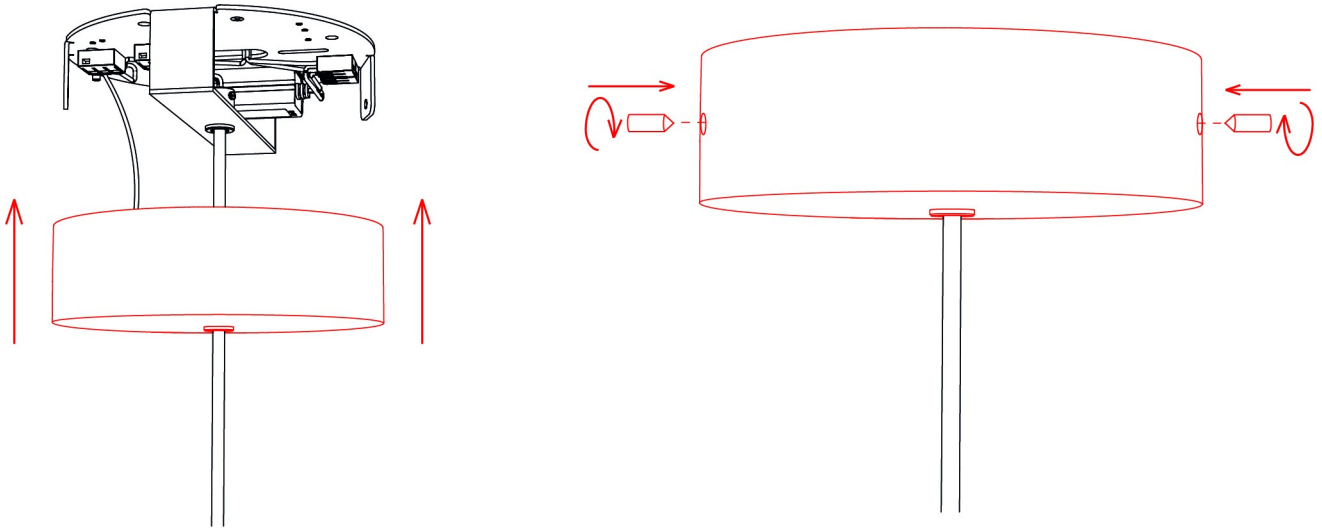
### 3. CONNECTING THE LIGHT TO THE BUILDING WIRING

Connect the light to the building wiring according to the connection diagram.



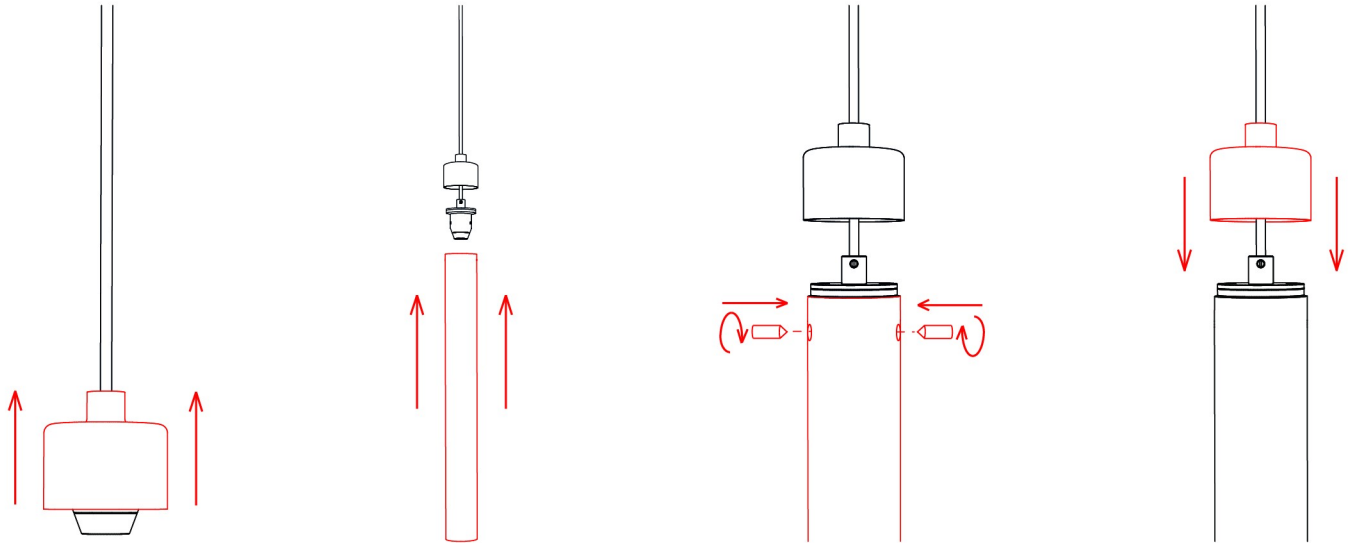
#### 4. INSTALLING THE CEILING CANOPY

Using the two M5×16 set screws and size 2.5 hex key, attach the ceiling canopy to the bracket.



## 5. ASSEMBLING THE LIGHT

Lift the cover and position the glass shade on the metal fixture with the holes properly aligned. Secure with two M4×16 set screws and hex key size 2. Lower the cover back onto the metal fixture.



## 6. SWITCHING ON THE LIGHT

Restore power at the main circuit panel and verify that the light works properly.

