

A—N—D

# BUTTON SERIES PENDANT

DESIGNER  
LUKAS PEET

INSTRUCTIONS



SCAN HERE



WORLD MARKET



A-N-D.COM

# INSTALLATION NOTES

---

The luminaire is powered by 12V DC. A constant voltage LED driver is required to operate the luminaire. The LED driver varies, depending on input voltage and dimming requirements.

It is recommended that two people install the Button Pendant; one to gently support the luminaire while the other makes the electrical and mechanical connections to the ceiling.

For questions regarding installation, please email [info@a-n-d.com](mailto:info@a-n-d.com)



## CARE INSTRUCTIONS

Always wear clean gloves when handling the luminaire. Clean finished surfaces with a soft, lint-free cloth. Clean acrylic diffuser with a soft lint-free cloth and a diluted solution of dish soap in warm water.

For replacement parts contact A-N-D directly.



## WARNING

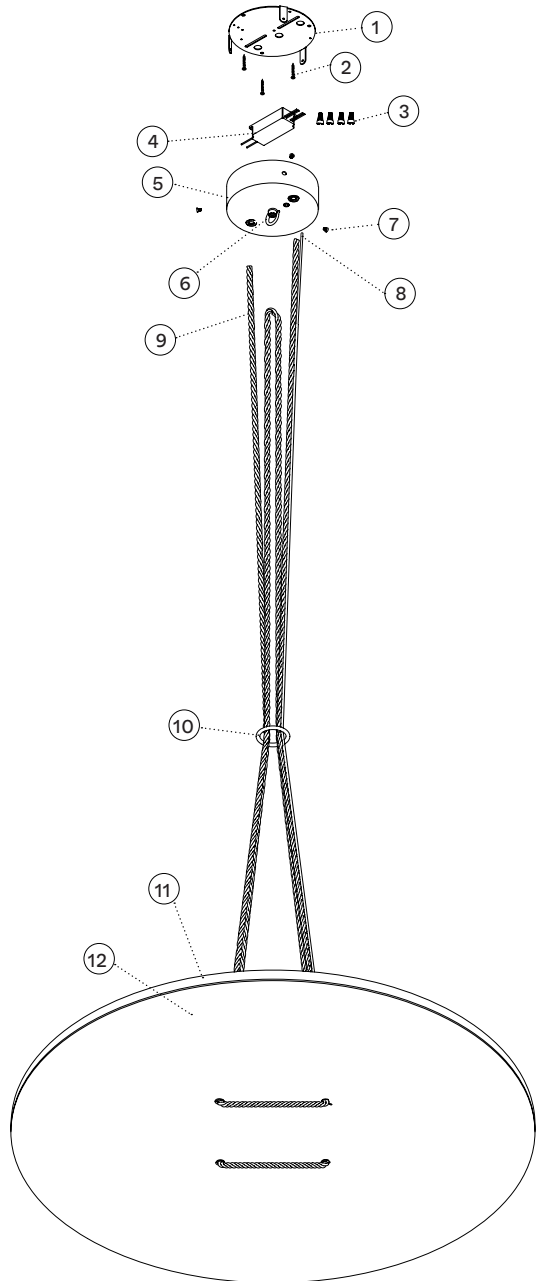
The luminaire must be installed by a qualified electrician in a dry indoor location.

Failure to meet any or all of these criteria will not only damage the luminaire, but will void both the warranty and all of its certifications.

# COMPONENTS

A—N—D

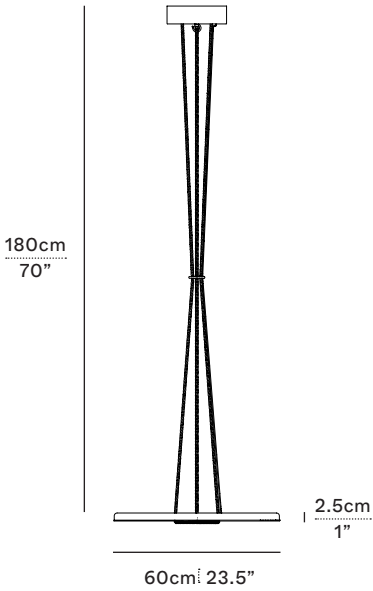
- ① BACKPLATE
- ② #8 SCREW (3)
- ③ WIRE NUT (4)
- ④ LED DRIVER
- ⑤ CANOPY
- ⑥ HOOK
- ⑦ CANOPY SCREW (3)
- ⑧ ELECTRICAL CORD
- ⑨ ROPE
- ⑩ BRASS RING
- ⑪ LUMINAIRE BODY
- ⑫ ACRYLIC DIFFUSER



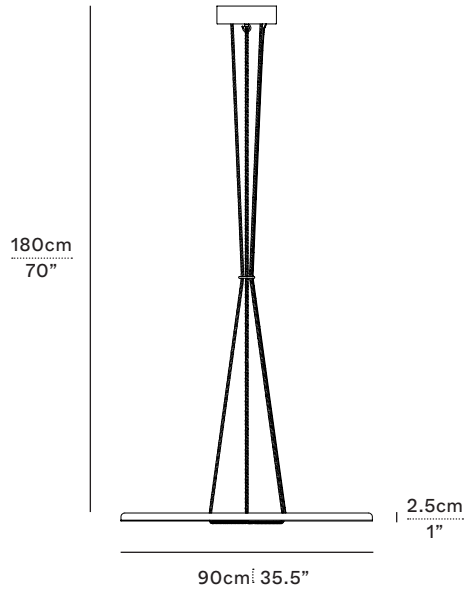
# BUTTON OPTIONS

---

The Button Pendant  
is available in 2 sizes:



**BUTTON 60**



**BUTTON 90**

# LED DRIVER OPTIONS

# A—N—D

The Button Pendant LED driver varies depending on dimming requirements and input voltage.

Use the ordering code to determine the selected driver: ie. BUT-90-P-BLK-27-010-230

DIMMING --- INPUT VOLTAGE

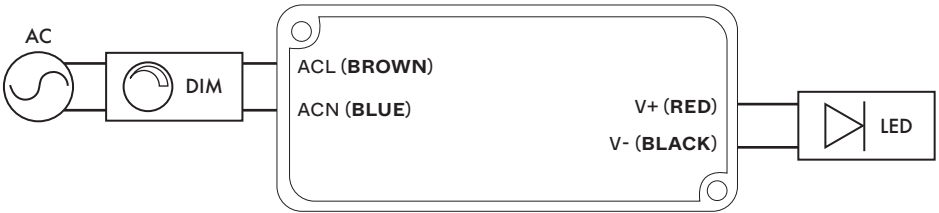
## PHASE CUT DIMMING (PC)

M-30 SERIES - ES POWER

**INPUT:** 230VAC

**OUTPUT:** 12VDC,40W

**L x W x H:** 111 x 44 x 32



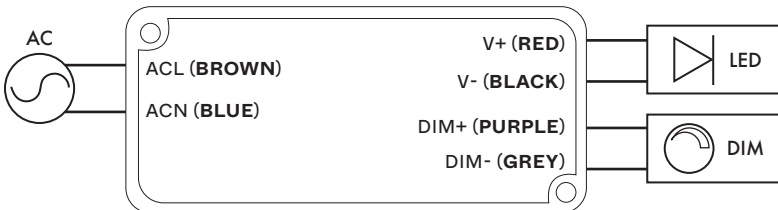
## 0-10 + PWM DIMMING (010)

Q40-P SERIES - ES POWER

**INPUT:** 110-277VAC

**OUTPUT:** 12VDC,40W

**L x W x H:** 111 x 42 x 32



# PREPARATION

## STEP 1

**Determine the drop height and trim the excess rope and electrical cord.**

### **Rope length:**

To calculate the amount of rope to cut, take the desired difference in drop height and multiply it by two. Cut this amount from both rope ends located inside the canopy.

### **⚠ Caution!**

Do not cut the center loop on the rope.

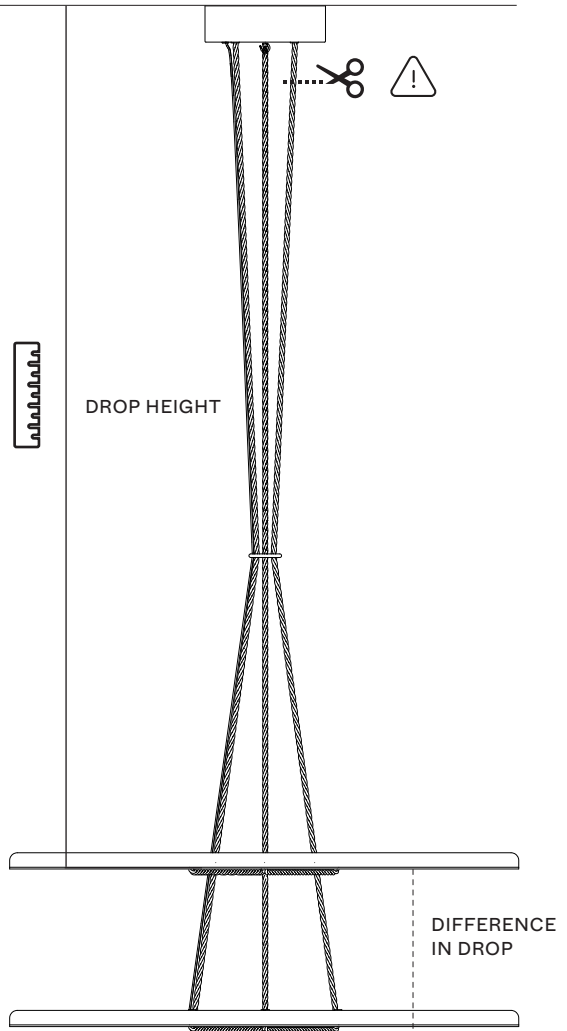
### **Electrical cord length:**

Leave it longer than needed. Add an extra 15cm/6" to the drop height.

This allows for adjustment and electrical connections inside the canopy.

### **⚠ Caution!**

The electrical cord must not bear any weight.



# INSTALLATION

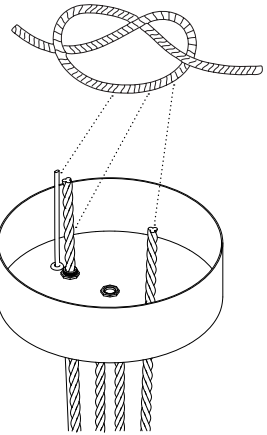
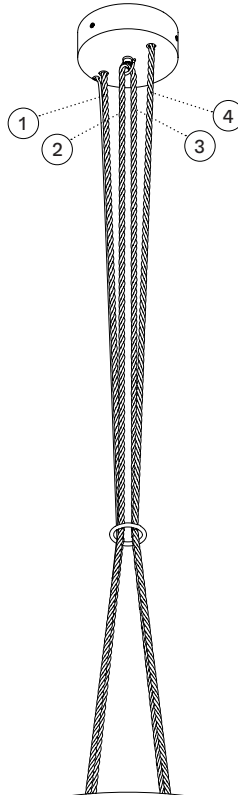
A—N—D

## STEP 2

**Tie knots in the rope ends and electrical cord inside the canopy.**

The rope knots (and the hook) hold the weight of the luminaire.

The electrical cord knot prevents pulling on electrical connections inside the canopy.

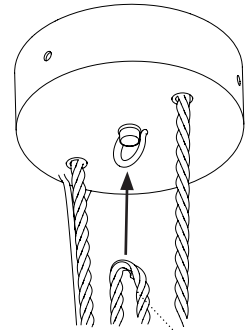


## STEP 3

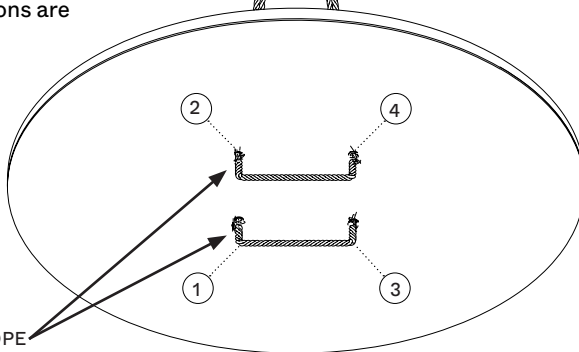
**Adjust the rope position and hang center loop on the hook.**

The rope is one continuous piece, fed through the holes in body of the luminaire.

Pull the ropes through the holes in the luminaire body until all four sections are equal lengths.



CENTRE LOOP



PULL ROPE THROUGH HERE

# INSTALLATION

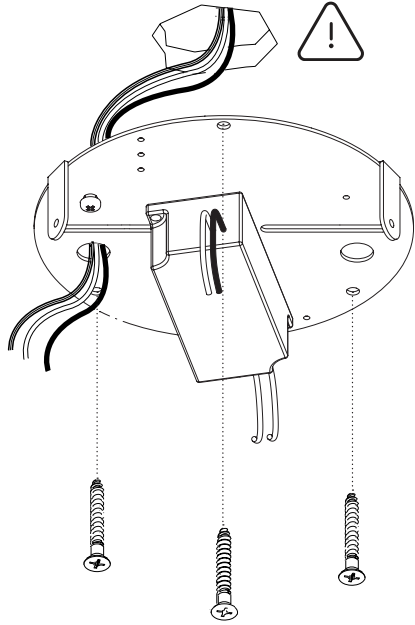
## STEP 4

**Mount the backplate to the junction box.**

Use the provided #8 screws. Substrate specific anchors to be provided by installer.

**⚠ Caution!**

Ensure that the power is disconnected.



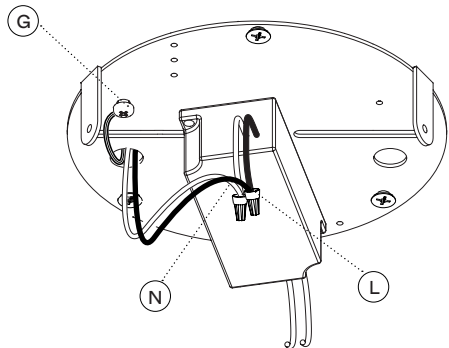
## STEP 5

**Connect the primary circuit on the LED driver to input power. Connect ground.**

Black/brown wire = **Line** (L)

White/blue wire = **Neutral** (N)

Green screw = **Ground** (G)



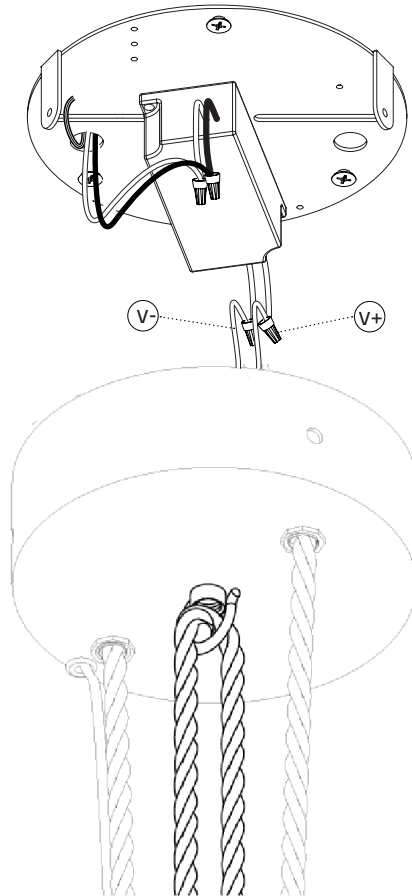
REFER TO PAGE 5: DRIVER OPTIONS FOR MORE DETAILS

**STEP 6**

**Connect the luminaire to secondary circuit on LED driver.**

Dashed line = **Positive** (V+)

Black = **Negative** (V-)



REFER TO PAGE 5: DRIVER OPTIONS FOR MORE DETAILS

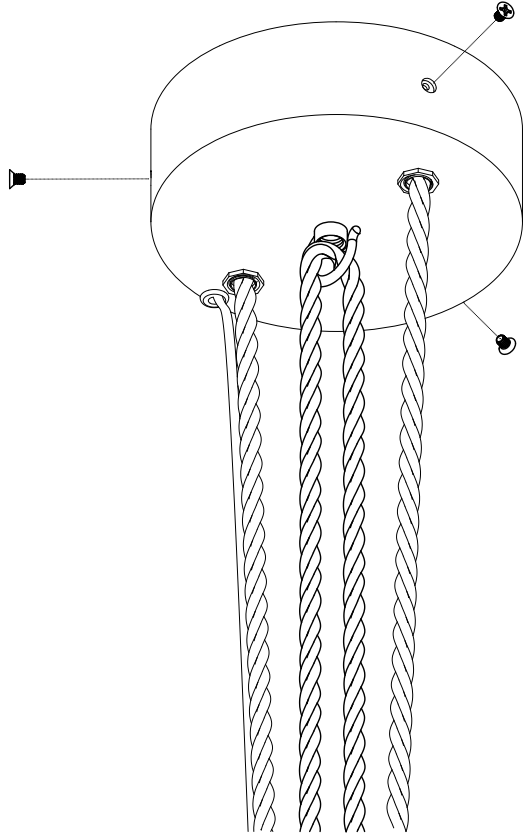
# INSTALLATION

---

## STEP 7

**Attach the canopy to the backplate.**

Use the provided colour matched canopy screws.



---

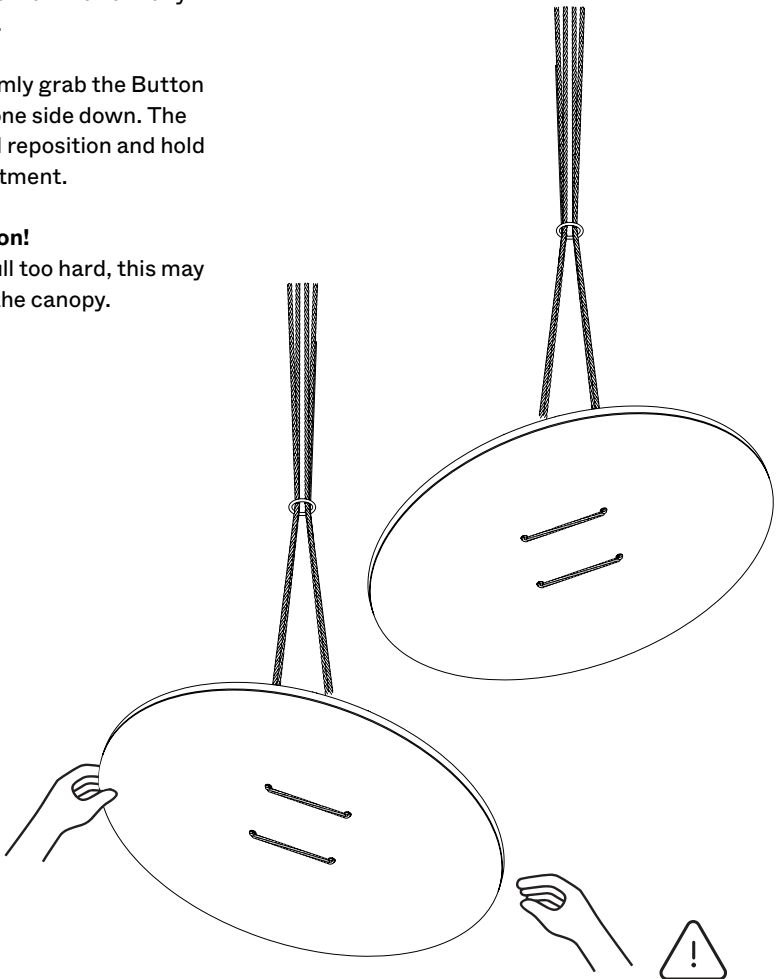
**STEP 8****Position the luminaire.**

The ropes allow for tilting of the Button luminaire in any direction.

To tilt, firmly grab the Button and pull one side down. The ropes will reposition and hold the adjustment.

**⚠ Caution!**

Do not pull too hard, this may damage the canopy.



# A—N—D

For support, please contact:

[info@a-n-d.com](mailto:info@a-n-d.com)

+1 604 563 6938



1951 Franklin St,  
Vancouver, BC  
Canada V5L 0C7

**A-N-D.COM**