

Branch Sconce

Sconces

YOUR PRODUCT CODE

BRES- - - - -

DESCRIPTION

Perforated metal shells sit comfortably atop diffuser lenses, in this family of lights. This fixture is available in a variety of warm anodized finishes and warm color temperatures, adding atmosphere to any space.

MATERIALS

Perforated anodized aluminum, acrylic lens

COLLECTION NOTES

This product is designed to be installed with a 2" x 4" single gang junction box. For 4" octagonal or round boxes, a Junction Box Cover Plate will be required and is sold separately.

PRODUCT DIMENSIONS

Large 46 L x 3 W x 3 in D | Medium 24 L x 3 W x 3 in D | Small 13 L x 3 W x 3 in D

PRODUCT WEIGHT

8 lbs / 3.6 kg

PERFORMANCE

Delivered Lumens 200 lm (Small) | 435 lm (Medium) | 870 lm (Large)
 Power Consumption 9W (Small) | 18W (Medium) | 37W (Large)
 Luminous Efficacy 22.2 lm/W (Small) | 24.2 lm/W (Medium) | 23.5 lm/W (Large)
 90 CRI
 Full detail in [photometry summary](#).

CERTIFICATION

ADA Compliant
 UL Listed
 UL Listed to Canadian safety standards.
 Suitable for Damp Locations
 IP44

LED LIFESPAN

50k hours

SPECIFICATION LOGIC

SIZE

Small 13"	S
Medium 24"	M
Large 46"	L

SHADE FINISH

Natural Anodize	AA01
Gold Anodize	AA03
Black Anodize	AA04

COLOR TEMPERATURE

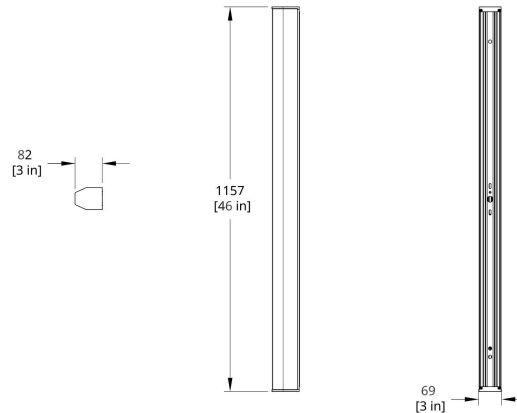
2700K (warm white)	27
3000K (soft white)	30
3500K (neutral white)	35
4000K (cool white)	40

DIMMING / CONTROL / INPUT

1% Dimming, TRIAC / Forward Phase Control, 120V Input	1_TRIAC_120V
1% Dimming, 0-10V Control, 120V or 277V "Universal Input"	1_10V_UNV
0.1% Dimming, 0-10V Control, 120V or 277V "Universal Input"	0.1_10V_UNV

DRAWINGS

BRES-L Branch Sconce Large Dimension



BRES-M Branch Sconce Medium Dimension

BRES-S Branch Sconce Small Dimension

