



Branch Pendant

Pendants

YOUR PRODUCT CODE

BREP- - - - -

DESCRIPTION

Perforated metal shells sit comfortably atop diffuser lenses, in this family of lights. This fixture is available in a variety of warm anodized finishes and warm color temperatures, adding atmosphere to any space.

MATERIALS

Perforated anodized aluminum, acrylic lens

PRODUCT DIMENSIONS

Large 46 L x 3 W x in 3 H | Medium 24 L x 3 W x 3 in H

PRODUCT WEIGHT

8 lbs / 3.6 kg

PERFORMANCE

Delivered Lumens 200 lm (Small) | 435 lm (Medium) | 870 lm (Large)
 Power Consumption 9W (Small) | 18W (Medium) | 37W (Large)
 Luminous Efficacy 22.2 lm/W (Small) | 24.2 lm/W (Medium) | 23.5 lm/W (Large)
 90 CRI
 Full detail in [photometry summary](#).

CERTIFICATION

UL Listed
 UL Listed to Canadian safety standards.
 Suitable for Damp Locations
 IP44

LED LIFESPAN

50k hours

SUSPENSION

White 5" round flat canopy
 Standard 72" cable
 Standard Hang Height 66"
 Minimum Hang Height 6"
 Cable extension available (up to 150")
 Field trimmable

SPECIFICATION LOGIC

SIZE

Medium	M
Large	L

SHADE FINISH

Natural Anodize	AA01
Gold Anodize	AA03
Black Anodize	AA04

COLOR TEMPERATURE

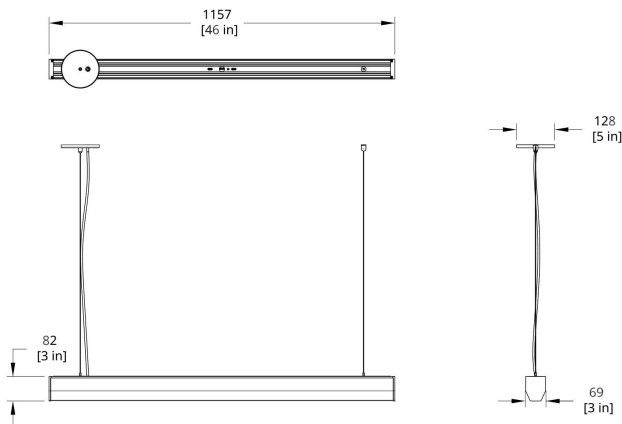
2700K (warm white)	27
3000K (soft white)	30
3500K (neutral white)	35
4000K (cool white)	40

DIMMING / CONTROL / INPUT

1% Dimming, TRIAC / Forward Phase Control, 120V Input	1_TRIAC_120V
1% Dimming, 0-10V Control, 120V or 277V "Universal Input"	1_10V_UNV
0.1% Dimming, 0-10V Control, 120V or 277V "Universal Input"	0.1_10V_UNV

DRAWINGS

BREP-L Branch Pendant Large Dimension



PREP-M Branch Pendant Medium Dimension

