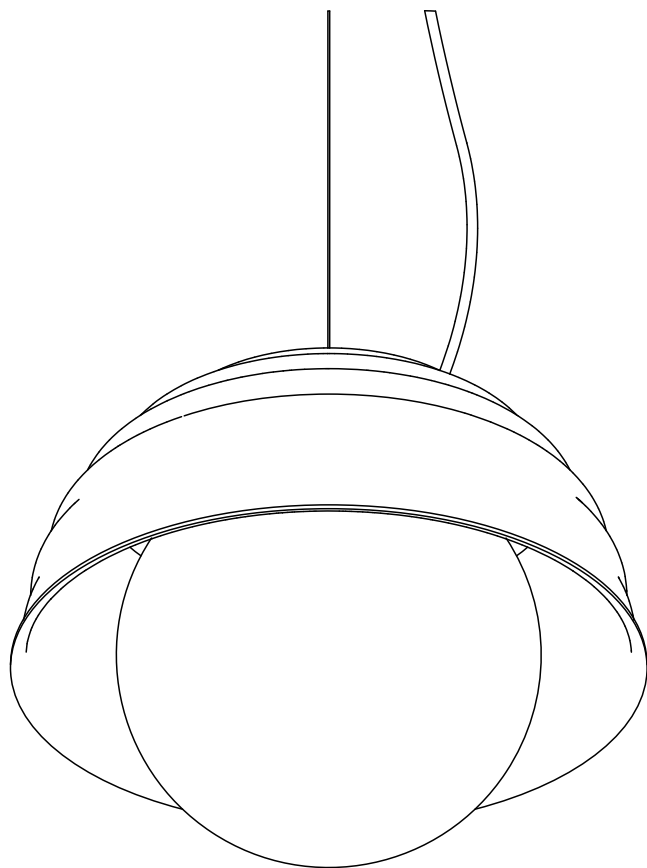


# Bon Pendant

21716 rA

Low Voltage Input



## CAUTION:

Before starting, turn off power at main circuit panel.

## ADVERTENCIA:

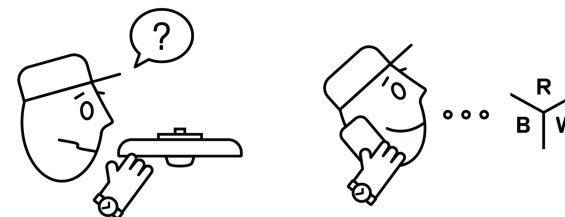
Antes de comenzar la instalación, apague la corriente en el tablero principal.

## ATTENTION:

Coupez l'alimentation avant de proceder à l'installation.

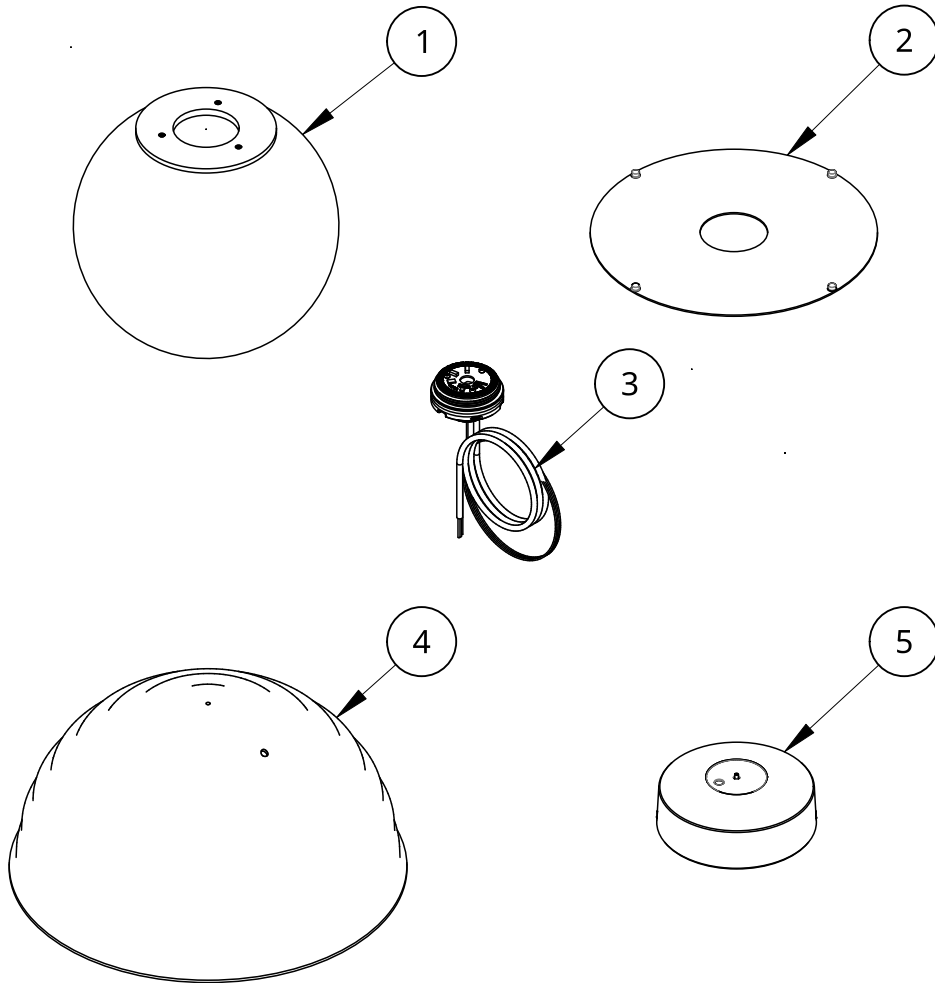


Calling for backup? Scan above to contact our team.



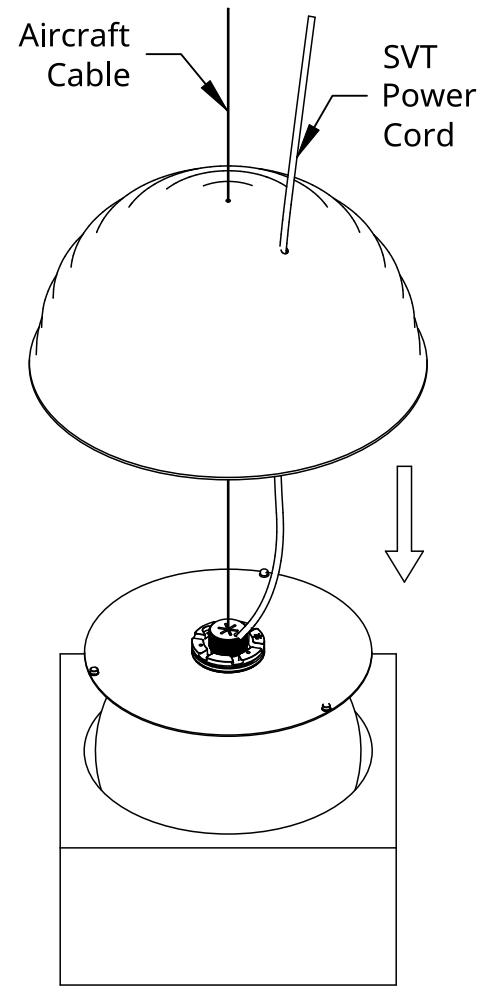
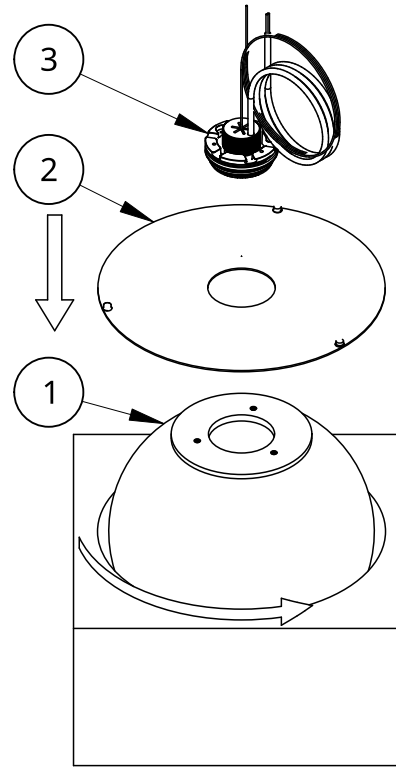
www.RBW.com  
+1 212 388 0399  
support@RBW.com  
© 2023, RBW Studio LLC

What's Included: Part Configurations May Vary



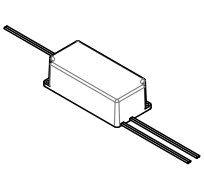
Item	Qty	Description
1	1	Assembly: Bon Globe
2	1	Bon Disc
3	1	LED Module
4	1	Bon Shade
5	1	Deep Canopy

Note: Keep Globe in Foam Packaging During Install Steps 1-3

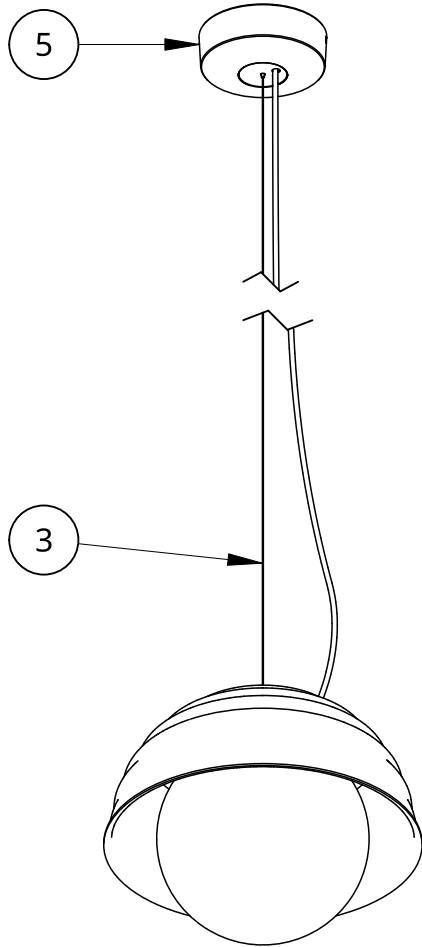


### Installation - LED Module, Disc & Globe

1. Place Bon Disc over Bon Globe
2. Thread Bon Globe clockwise to LED Module to secure Bon Disc. (Keep foam particles clear)
3. Uncoil and feed aircraft cable and power cord through holes in Bon Shade as shown.
4. Rest Shade on Disc.



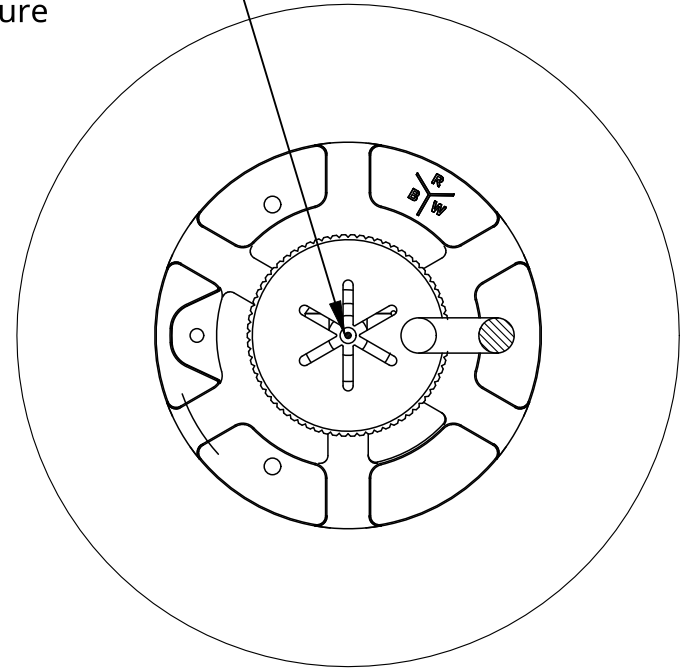
Driver dimensions and location may vary, consult your order confirmation for details.



### Installation - Canopy

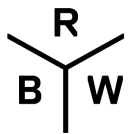
5. For Deep Canopy, refer to instructions Sheet 13163.
6. For Flat Canopy, refer to instructions Sheet 14273.
7. For Mud-in/Recessed Canopy, refer to instructions Sheet 21796.

Slide Aircraft Cable through slots to level fixture



### Installation - Leveling (Optional)

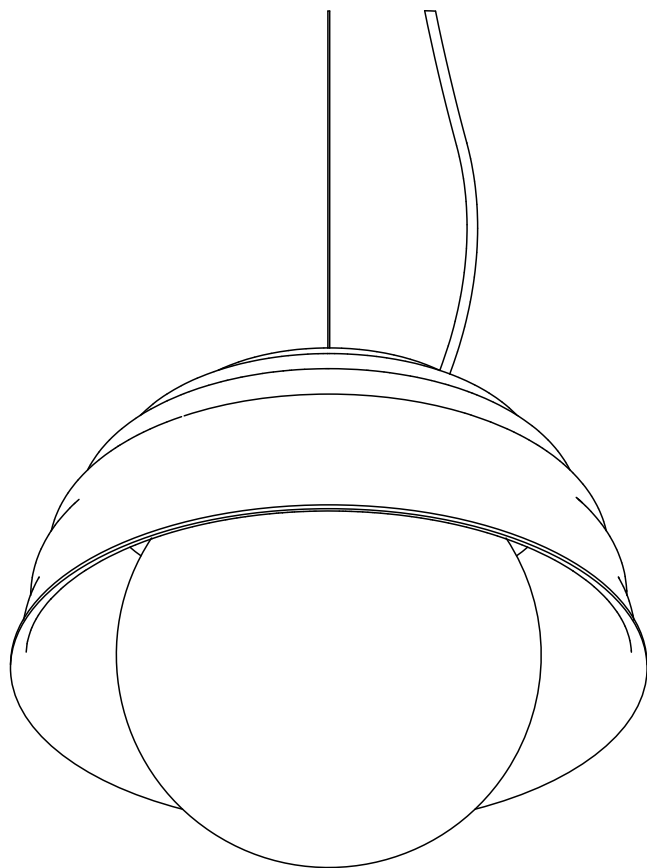
8. Use 6 direction pattern in cable coupler to adjust level of fixture as needed.
9. Rest Shade on Disc.
10. Congratulations! End of guide.



# Bon Pendant

21716 rA

Low Voltage Input



## CAUTION:

Before starting, turn off power at main circuit panel.

## ADVERTENCIA:

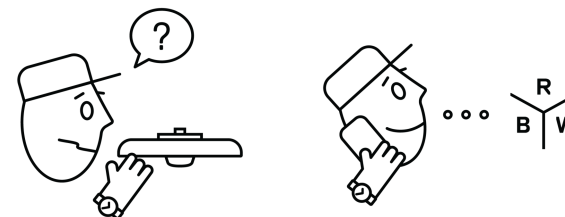
Antes de comenzar la instalación, apague la corriente en el tablero principal.

## ATTENTION:

Coupez l'alimentation avant de proceder à l'installation.

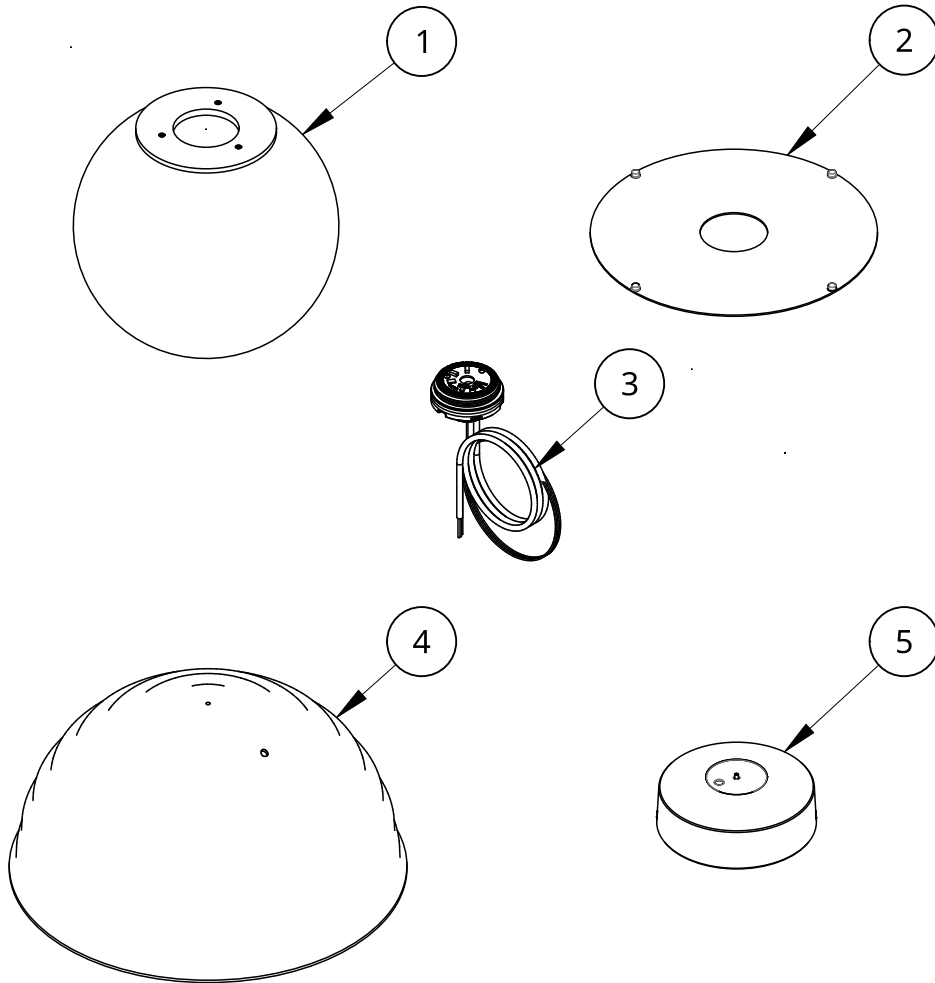


Calling for backup? Scan above to contact our team.



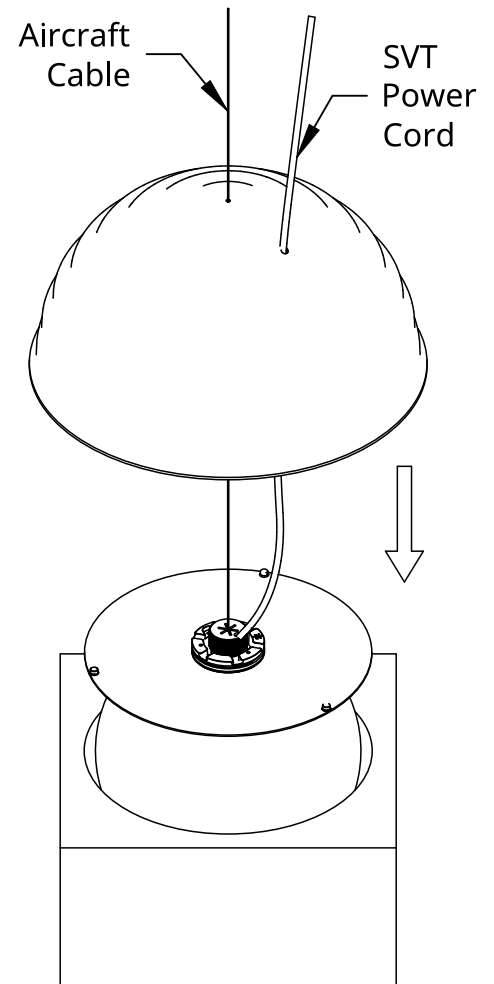
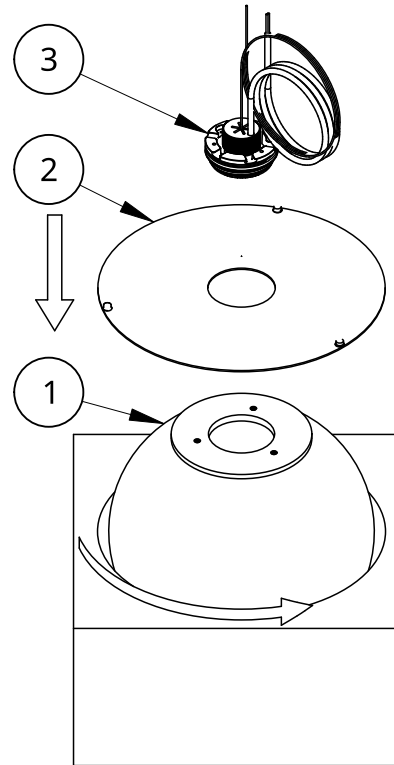
www.RBW.com  
+1 212 388 0399  
support@RBW.com  
© 2023, RBW Studio LLC

What's Included: Part Configurations May Vary



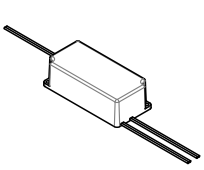
Item	Qty	Description
1	1	Assembly: Bon Globe
2	1	Bon Disc
3	1	LED Module
4	1	Bon Shade
5	1	Deep Canopy

Note: Keep Globe in Foam Packaging During Install Steps 1-3

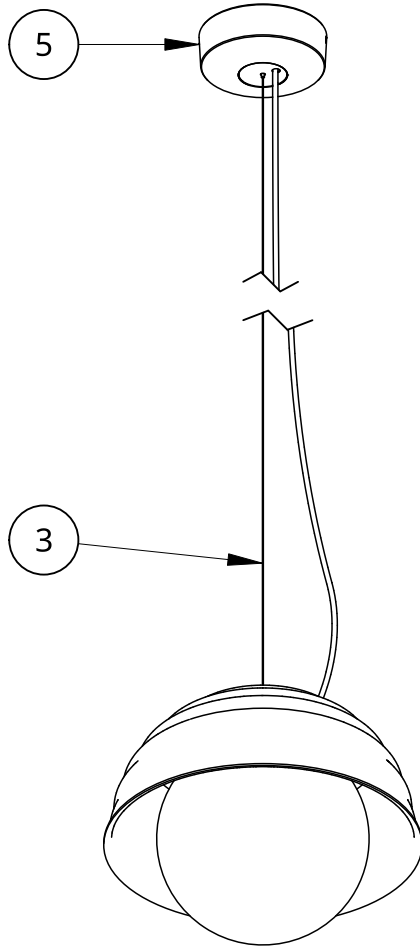


### Installation - LED Module, Disc & Globe

1. Place Bon Disc over Bon Globe
2. Thread Bon Globe clockwise to LED Module to secure Bon Disc. (Keep foam particles clear)
3. Uncoil and feed aircraft cable and power cord through holes in Bon Shade as shown.
4. Rest Shade on Disc.



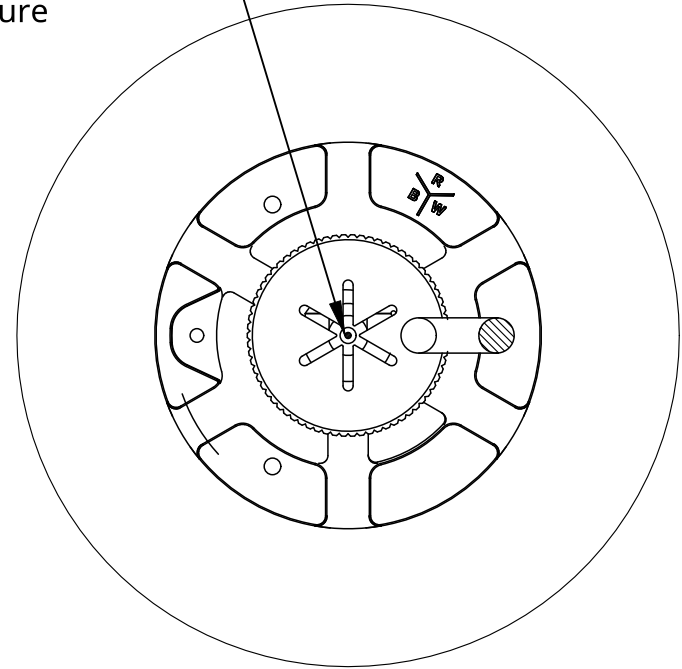
Driver dimensions and location may vary, consult your order confirmation for details.



### Installation - Canopy

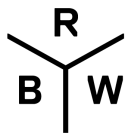
5. For Deep Canopy, refer to instructions Sheet 13163.
6. For Flat Canopy, refer to instructions Sheet 14273.
7. For Mud-in/Recessed Canopy, refer to instructions Sheet 21796.

Slide Aircraft Cable through slots to level fixture



### Installation - Leveling (Optional)

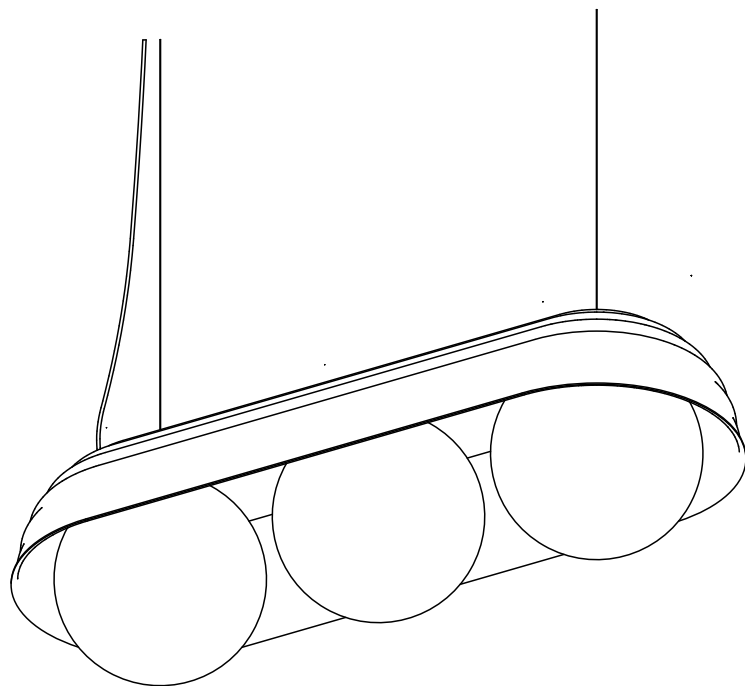
8. Use 6 direction pattern in cable coupler to adjust level of fixture as needed.
9. Rest Shade on Disc.
10. Congratulations! End of guide.



# Bon Triple Pendant

21721 rA

Low Voltage Input



## CAUTION:

Before starting, turn off power at main circuit panel.

## ADVERTENCIA:

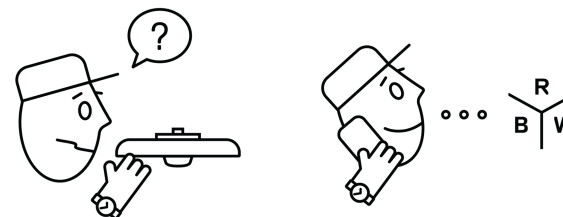
Antes de comenzar la instalación, apague la corriente en el tablero principal.

## ATTENTION:

Coupez l'alimentation avant de proceder à l'installation.

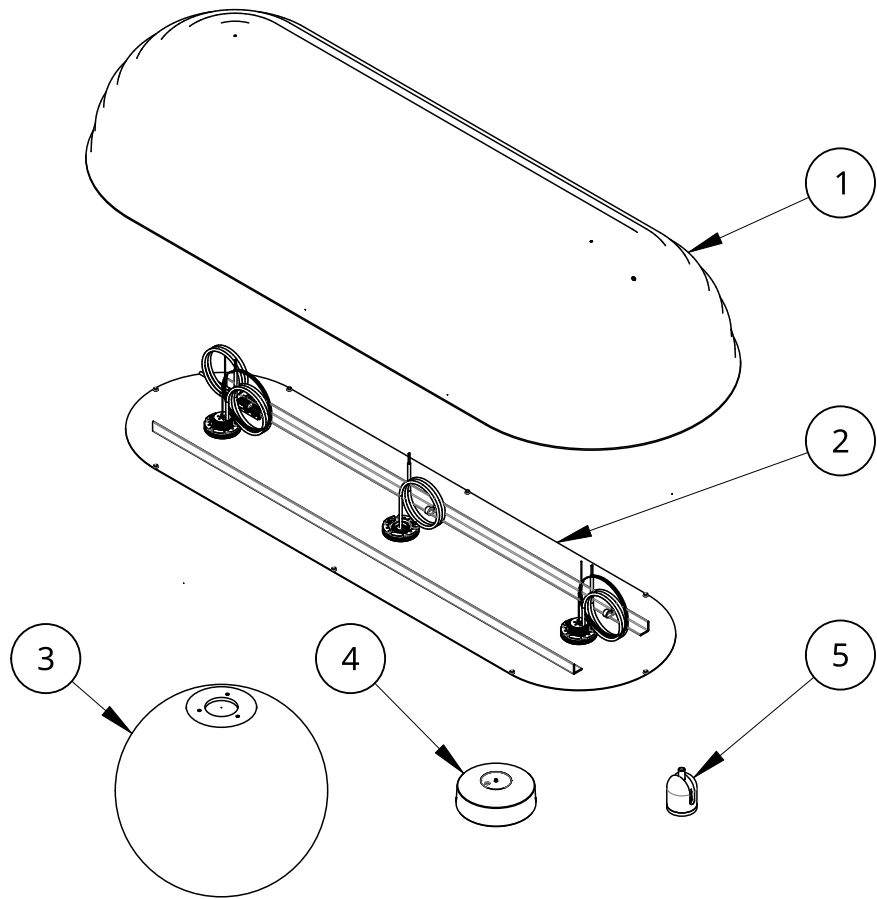


Calling for backup? Scan above to contact our team.



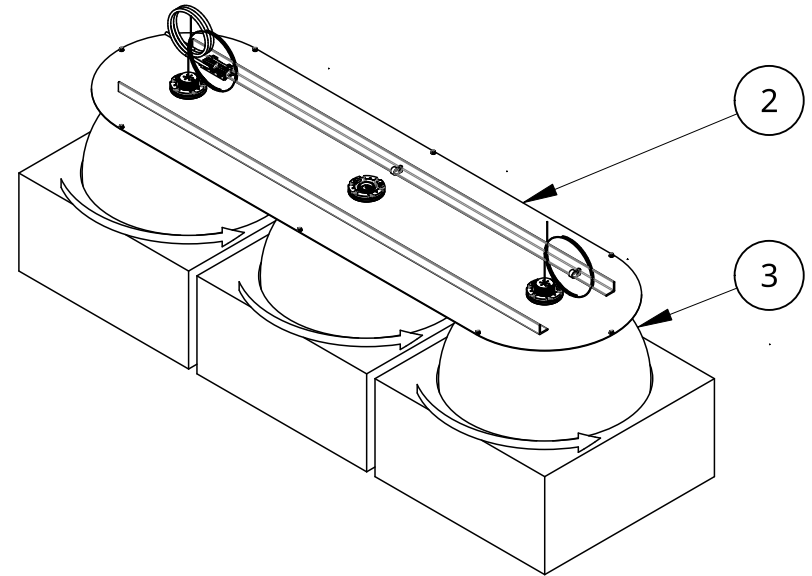
[www.RBW.com](http://www.RBW.com)  
+1 212 388 0399  
[support@RBW.com](mailto:support@RBW.com)  
© 2023, RBW Studio LLC

What's Included: Part Configurations May Vary



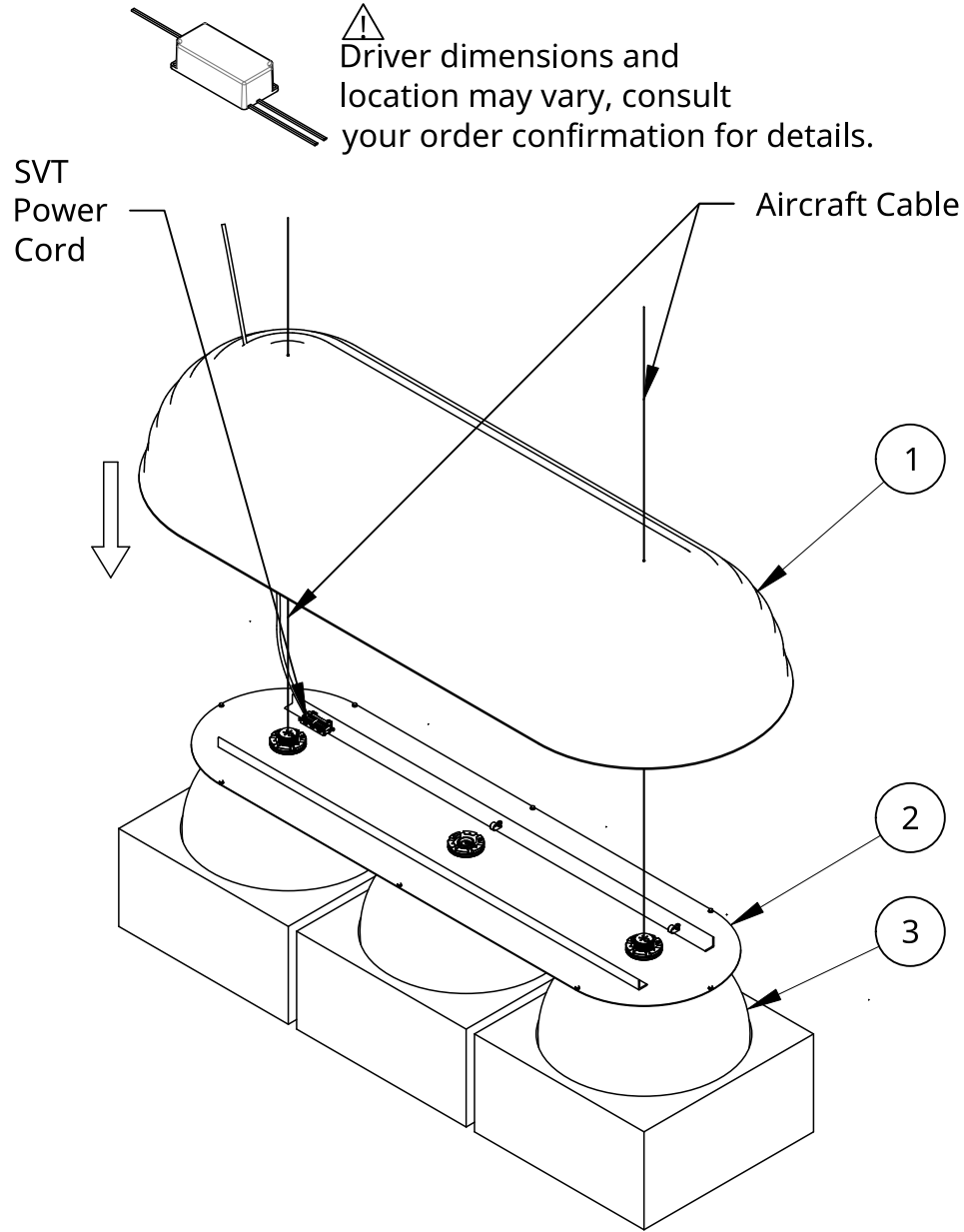
Item	Qty	Description
1	1	Bon Triple Shade
2	1	Assembly: Bon Plate 18" Triple
3	3	Assembly: Bon 18" Globe
4	1	Canopy
5	1	Cable Gripper

Note: Keep Globes in Foam Packaging During Install Steps 1 & 2



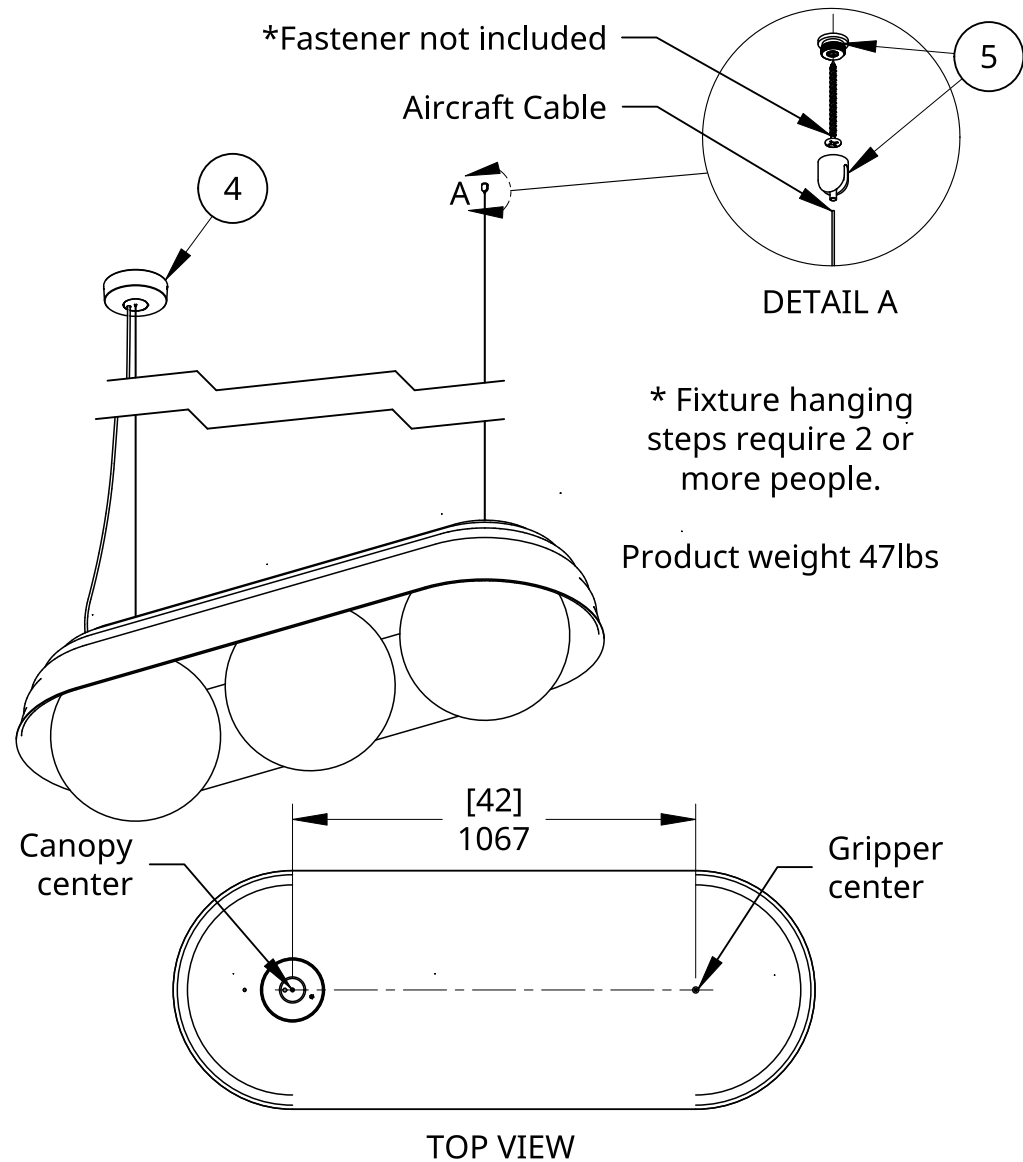
**Installation - LED Module, Disc & Globe**

1. Place Assembly: Bon Plate 18" Triple over Bon Globes.
2. Thread Bon Globes clockwise to LED Modules to secure Bon Triple Plate. (Keep foam particles clear)



### Installation - LED Module, Disc & Globe

3. Uncoil and feed aircraft cables and power cord through holes in Bon Shade Triple as shown.
4. Place Bon Shade Triple onto Bon Triple Plate.

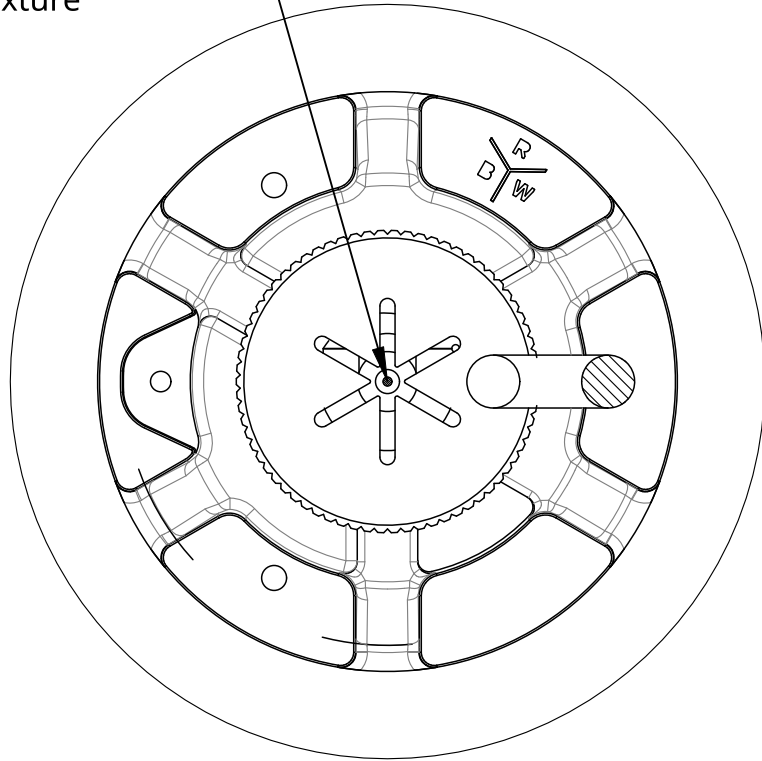


### Installation - Canopy & Gripper

5. For Deep Canopy, refer to instructions Sheet 13163.
6. For Flat Canopy, refer to instructions Sheet 14273.
7. For Mud-in/Recessed Canopy, refer to instructions Sheet 21796.
8. Fasten Gripper 42in from center of Canopy to desired mounting surface with appropriate fastener.

Note: Perform leveling operation with both aircraft cables if necessary.

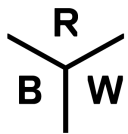
Slide Aircraft Cable through slots to level fixture



Page Intentionally Left Blank

### Installation - Leveling

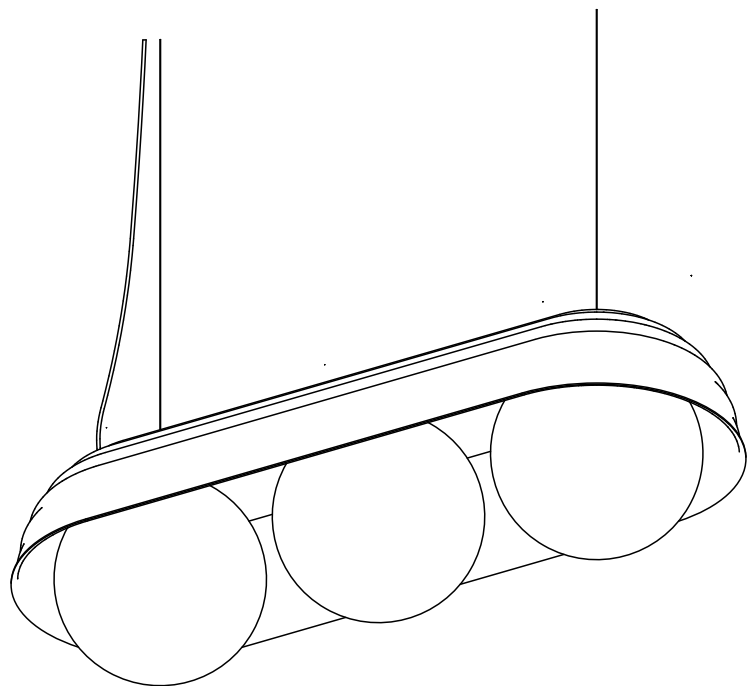
7. Use 6 direction pattern in cable coupler to adjust level of fixture as needed.
8. Rest Shade on Disc.
9. Congratulations! End of guide.



# Bon Triple Pendant

21721 rA

Low Voltage Input



## CAUTION:

Before starting, turn off power at main circuit panel.

## ADVERTENCIA:

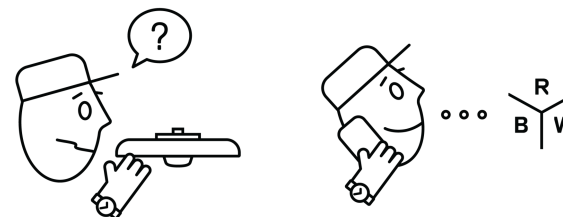
Antes de comenzar la instalación, apague la corriente en el tablero principal.

## ATTENTION:

Coupez l'alimentation avant de proceder à l'installation.

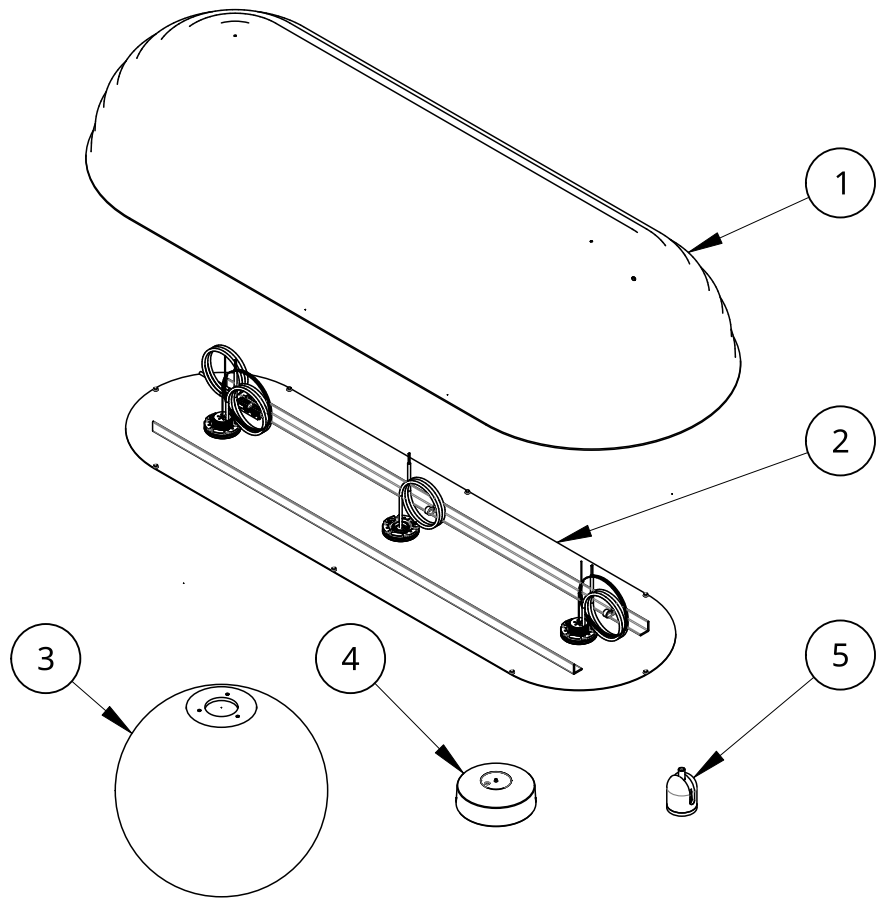


Calling for backup? Scan above to contact our team.



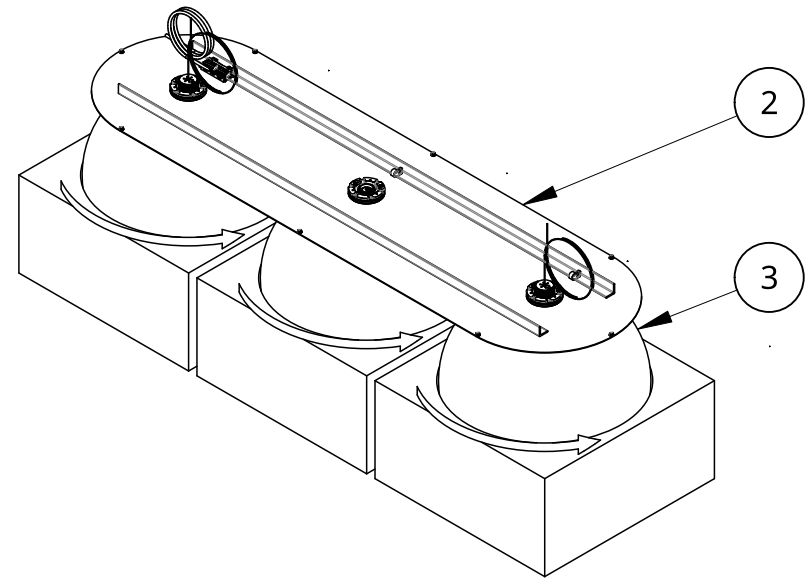
[www.RBW.com](http://www.RBW.com)  
+1 212 388 0399  
[support@RBW.com](mailto:support@RBW.com)  
© 2023, RBW Studio LLC

What's Included: Part Configurations May Vary



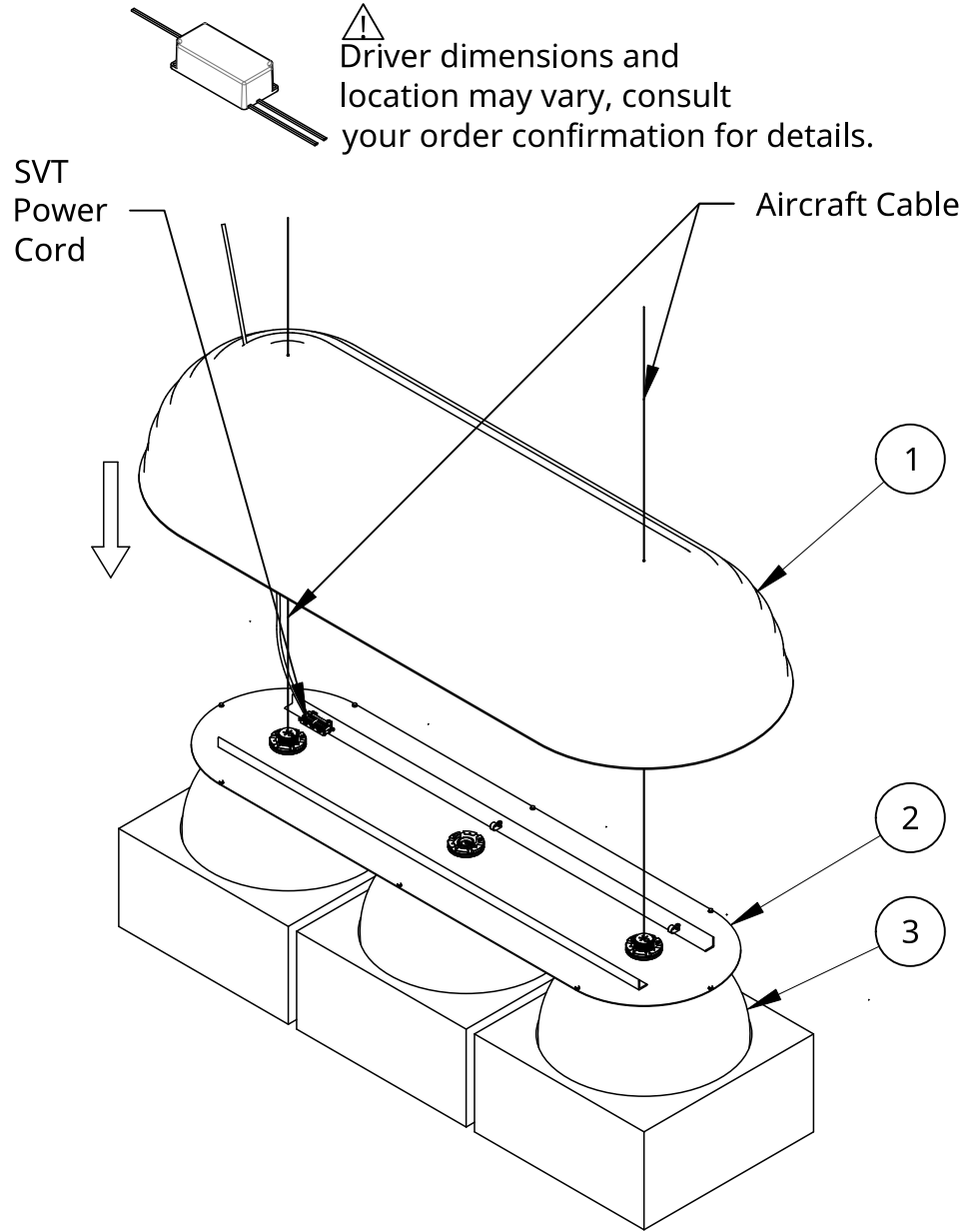
Item	Qty	Description
1	1	Bon Triple Shade
2	1	Assembly: Bon Plate 18" Triple
3	3	Assembly: Bon 18" Globe
4	1	Canopy
5	1	Cable Gripper

Note: Keep Globes in Foam Packaging During Install Steps 1 & 2



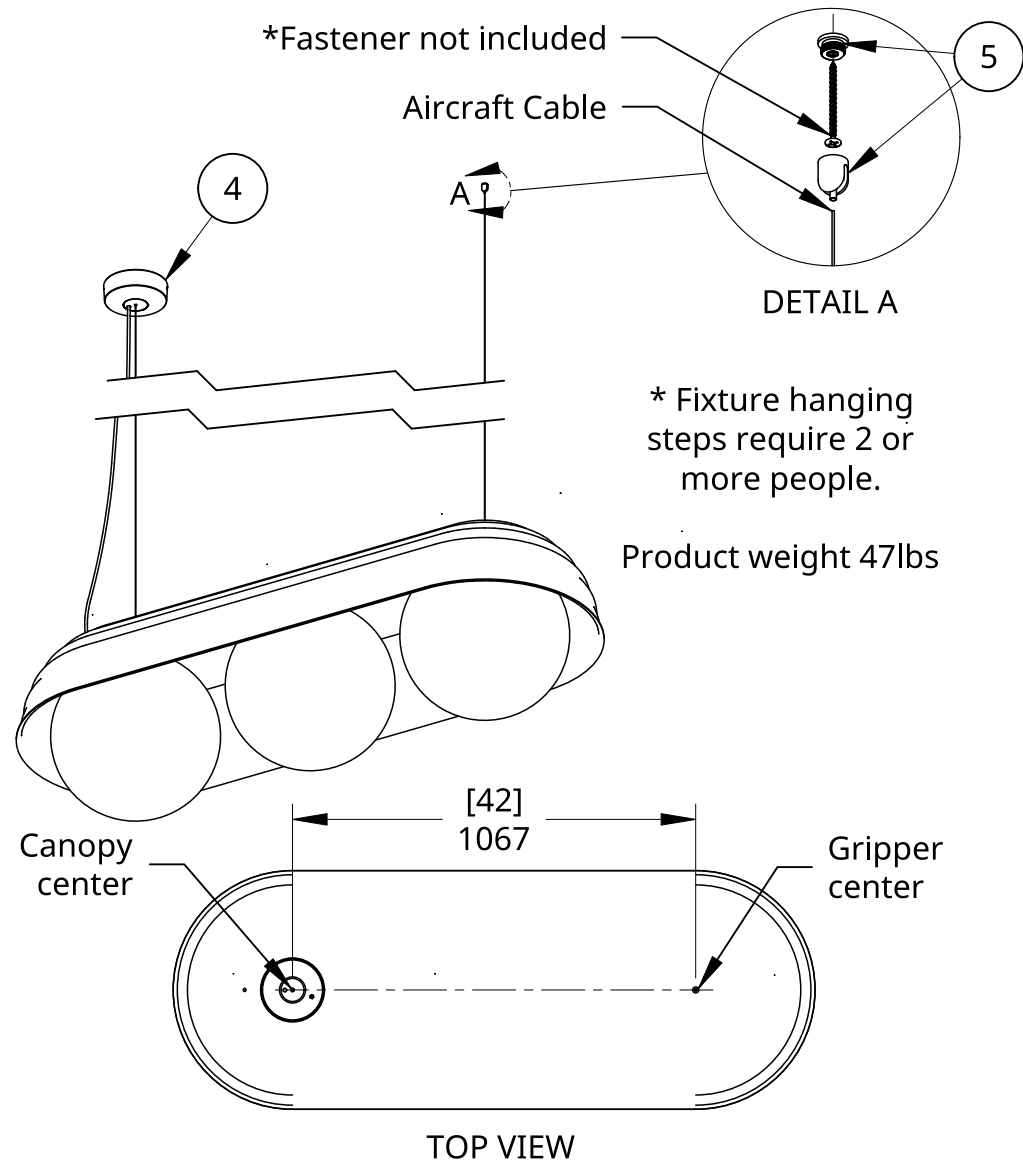
**Installation - LED Module, Disc & Globe**

1. Place Assembly: Bon Plate 18" Triple over Bon Globes.
2. Thread Bon Globes clockwise to LED Modules to secure Bon Triple Plate. (Keep foam particles clear)



### Installation - LED Module, Disc & Globe

3. Uncoil and feed aircraft cables and power cord through holes in Bon Shade Triple as shown.
4. Place Bon Shade Triple onto Bon Triple Plate.

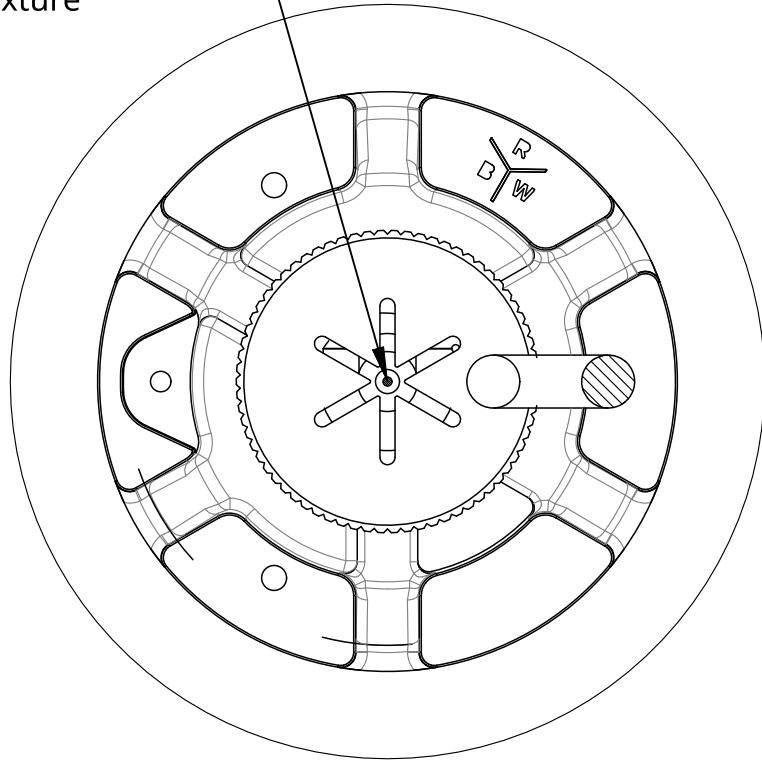


### Installation - Canopy & Gripper

5. For Deep Canopy, refer to instructions Sheet 13163.
6. For Flat Canopy, refer to instructions Sheet 14273.
7. For Mud-in/Recessed Canopy, refer to instructions Sheet 21796.
8. Fasten Gripper 42in from center of Canopy to desired mounting surface with appropriate fastener.

Note: Perform leveling operation with both aircraft cables if necessary.

Slide Aircraft Cable through slots to level fixture



Page Intentionally Left Blank

### Installation - Leveling

7. Use 6 direction pattern in cable coupler to adjust level of fixture as needed.
8. Rest Shade on Disc.
9. Congratulations! End of guide.