

BROKIS®

BIG ONE

CM17224

PC1335, PC1336



Download

COMPONENTS INCLUDED WITH UNIT:

- 1× core on suspension ring
- 1× ceiling canopy
- 1× outer shade
- 1× glass cover
- 1× spirit level
- 1× hex key size 2.5
- 1× hex key size 4
- 1× silicone seal
- 1× pair cotton gloves
- 1× installation manual

WARNING:

Installation must be carried out by a qualified electrician only.

Switch off power at main circuit panel prior to installation!

The manufacturer assumes no liability for damage occurring during transport or resulting from incorrect installation.

Installation time: 45 minutes / 2 persons



BROKIS®

BROKIS S.R.O.
ŠPANIĚLOVA 1315/25
163 00 PRAHA 6 - ŘEPY
CZECH REPUBLIC

ORG. ID 64940799
VAT ID CZ64940799
C 42174 MĚSTSKÝ SOUD
V PRAZE

TEL +420 567 211 517
TECHNICAL@BROKIS.CZ
INFO@BROKIS.CZ
WWW.BROKIS.CZ



CLEANING THE GLASS

BROKIS upholds only the highest possible quality standards. Prior to shipping, the light undergoes several quality controls and stages of cleaning. Because transportation, storage, and the amount of time that passes between packing at our plant and subsequent unpacking by the client can affect the light in different ways, we strongly recommend cleaning it prior to assembly.

The glass must first be rinsed in warm water, and a dish detergent may be used to remove all foreign particles, dust, and grease. Repeat the process if necessary and then dry the glass thoroughly with a paper towel.

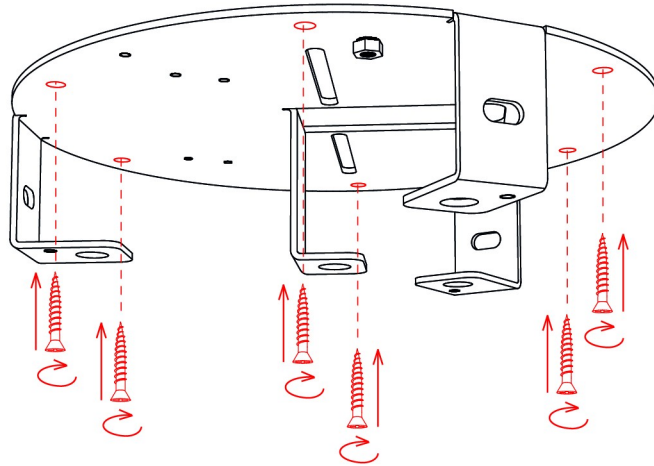
Recommendation: Do not use mineral spirits, highly concentrated thinners, or other substances not intended for use on glass surfaces. Do not use any cleaning agents containing silicone, as they may leave a film and attract dust and smudges.

PRIOR TO SHIPPING, THE FUNCTIONALITY OF EACH LIGHT AND ITS COMPONENTS IS CHECKED THOROUGHLY. THE MANUFACTURER ASSUMES NO LIABILITY FOR THE MISHANDLING OF PRODUCTS.



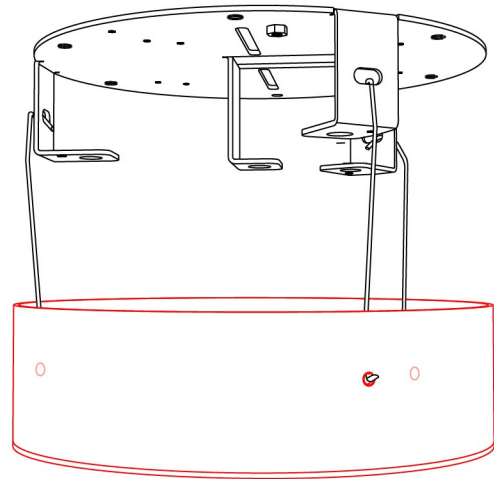
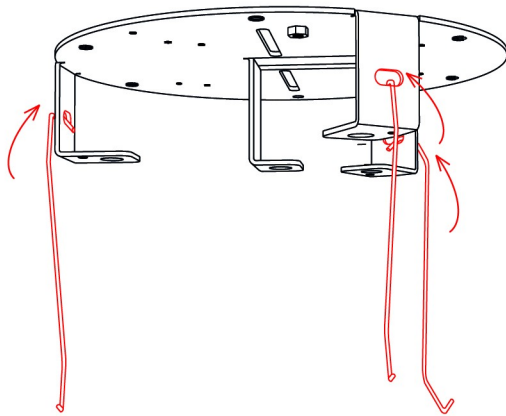
1. INSTALLING THE CEILING BRACKET

Using anchors of sufficient strength (not included), secure the bracket to the ceiling. With regard to various types of ceilings, we recommend consulting installation with an expert. The manufacturer assumes no liability for incorrect installation, use of improper anchors, or defects in the material to which this load-bearing component is secured.



2. HANGING THE CEILING CANOPY

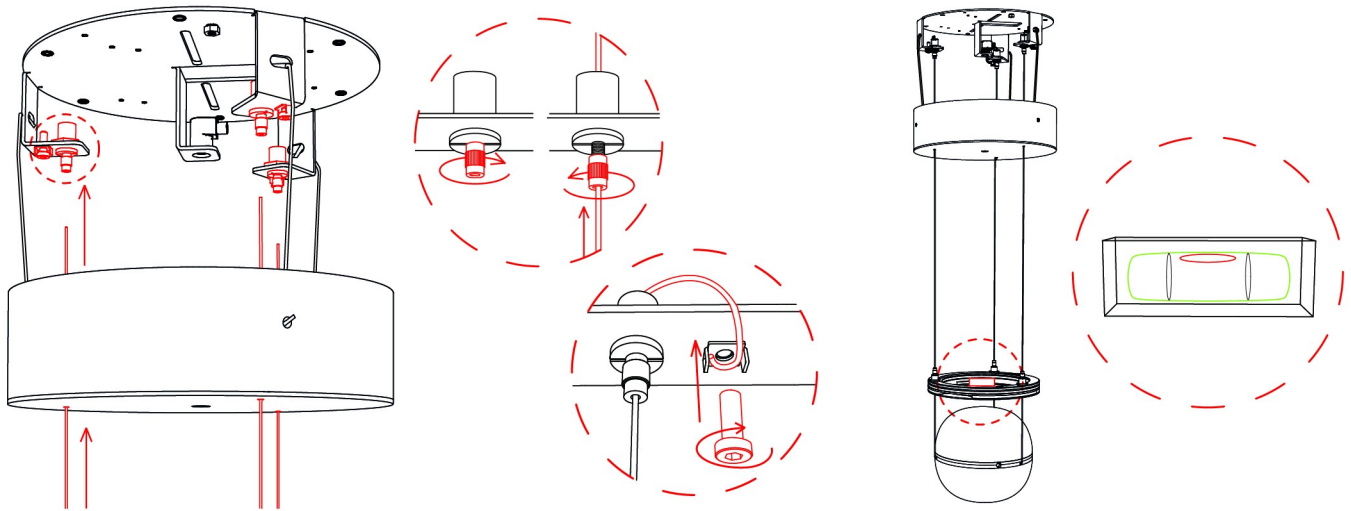
Using the three installation hooks, hang the ceiling canopy from the bracket.



3. INSTALLING THE LIGHT 1/2

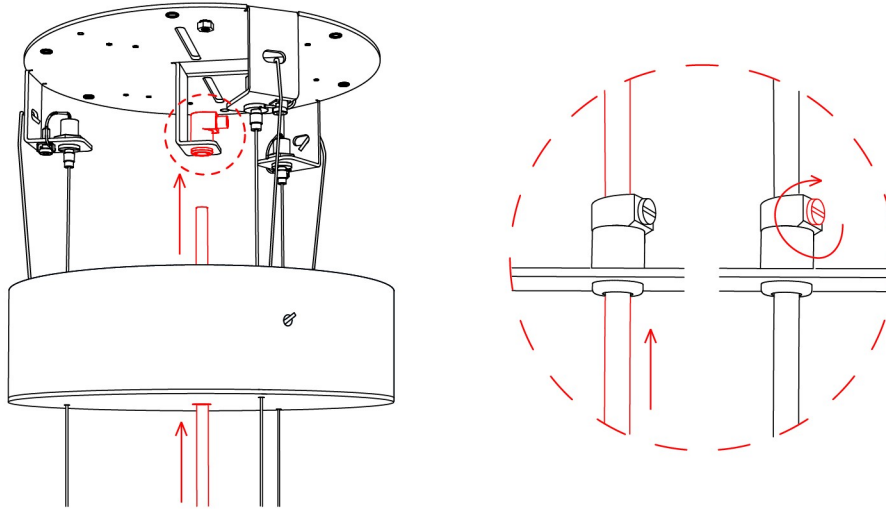
Installation requires the help of an assistant.

Pass the wire ropes through the ceiling canopy. Next, loosen the clamping cylinders on the load-bearing stops in the ceiling bracket and pass the unfrayed wire ropes through them to the required length. Then pass the wire ropes through the second part of the stops and level the light using the provided spirit level. Once the light is level, retighten the clamping cylinders, trim the wire ropes to at least 70 mm beyond the stops, and secure the wire ropes beneath the locking screws in the ceiling bracket. Following these steps carefully ensures that the wire ropes, which bear the entire weight of the light, are securely locked in place.



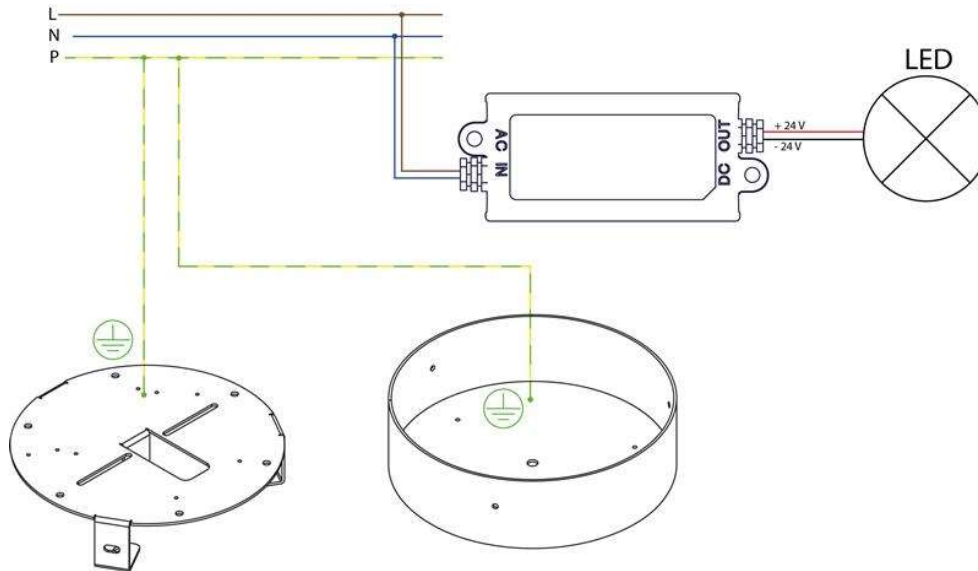
4. INSTALLING THE LIGHT 2/2

With the help of an assistant, pass the power cable through the ceiling canopy and insert it in the plastic cable stop in the ceiling bracket. Adjust the length of the cable as required and secure it in place by tightening the set screw in the plastic stop.



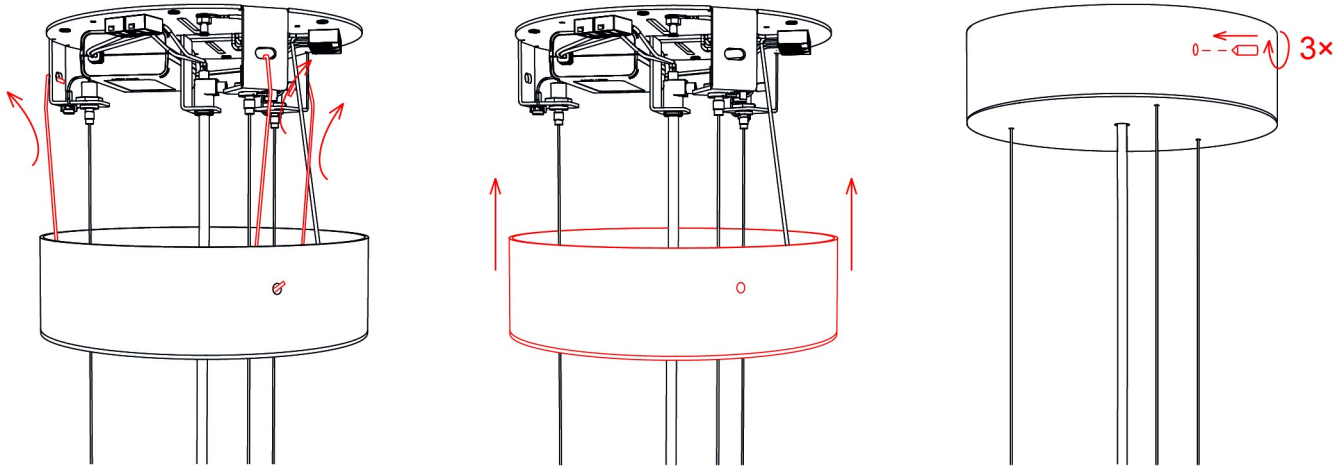
5. CONNECTING THE LIGHT TO THE BUILDING WIRING

Connect the light to the building wiring according to the connection diagram.



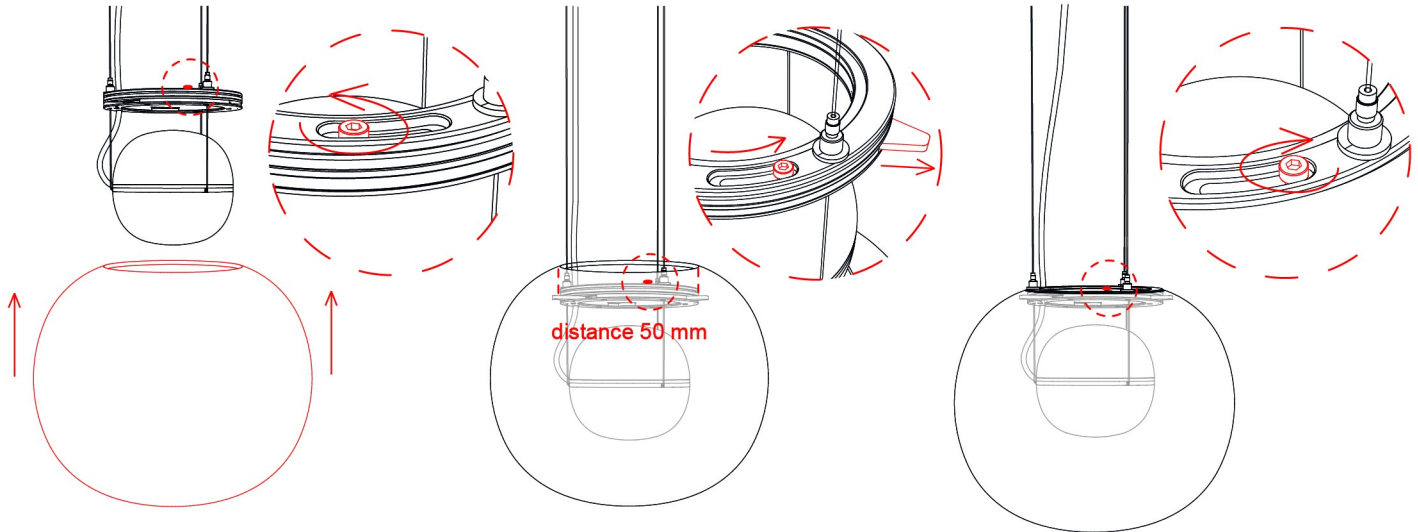
6. INSTALLING THE CEILING CANOPY

Remove the installation hooks. Using the three M5×16 set screws and the size 2.5 hex key, attach the ceiling canopy to the bracket.



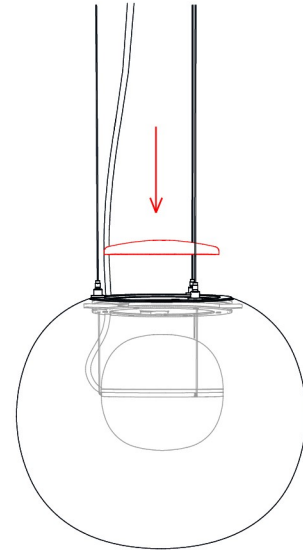
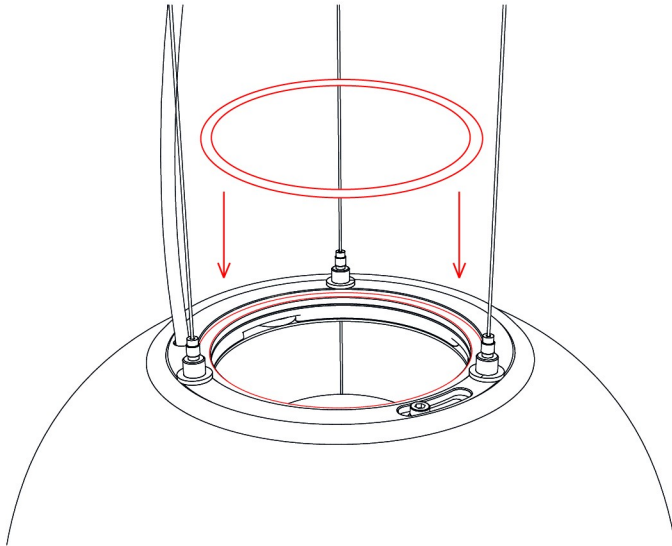
7. ASSEMBLING THE LIGHT 1/2

Using the size 4 hex key, loosen the screw in the stainless-steel ring. With an assistant, carefully lift the outer shade over the ring until the ring is roughly 50 mm below the lip of the opening in the shade. Slide the screw to the right to extend the locking arms from the ring. Gently lower the outer shade onto the locking arms and then retighten the screw.



8. ASSEMBLING THE LIGHT 2/2

Position the silicone seal on the stainless-steel ring, then balance the shade and install the glass cover.



9. SWITCHING ON THE LIGHT

Restore power at the main circuit panel and verify that the light works properly.

