

BROKIS®

BAMBOO FOREST

CM16948

S, M UP/DOWN, L UP/DOWN, XL DOUBLE
PC1327, PC1328/PC1329, PC1330/PC1331, PC1332



COMPONENTS INCLUDED WITH UNIT:

- 1× light
- 1× ceiling canopy
- 1× power cable
- 2× plastic cable stops
- 2× set screw M5×12
- 1× hex key size 1.5
- 1× hex key size 2.5
- 1× pair cotton gloves
- 1× installation manual

WARNING:

Installation must be carried out by a qualified electrician only!

Switch off power at main circuit panel prior to installation!

The manufacturer assumes no liability for damage occurring in transport or resulting from incorrect installation.

Installation time: 30 minutes / 2 persons



BROKIS®

BROKIS S.R.O.
ŠPANIĚLOVA 1315/25
163 00 PRAHA 6 - ŘEPY
CZECH REPUBLIC

ORG. ID 64940799
VAT ID CZ64940799
C 42174 MĚSTSKÝ SOUD
V PRAZE

TEL +420 567 211 517
TECHNICAL@BROKIS.CZ
INFO@BROKIS.CZ
WWW.BROKIS.COM



CLEANING THE GLASS

BROKIS upholds only the highest possible quality standards. Prior to shipping, the light undergoes several quality controls and stages of cleaning. Because transportation, storage, and the amount of time that passes between packing at our plant and subsequent unpacking by the client can affect the light in different ways, we strongly recommend cleaning it prior to assembly.

The glass must first be rinsed in warm water, and a dish detergent may be used to remove all foreign particles, dust, and grease. Repeat the process if necessary and then dry the glass thoroughly with a paper towel.

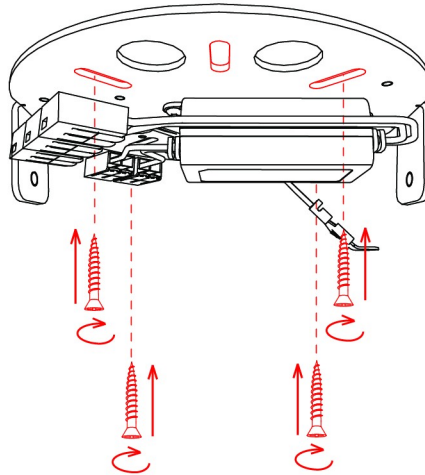
Recommendation: Do not use mineral spirits, highly concentrated thinners, or other substances not intended for use on glass surfaces. Do not use any cleaning agents containing silicone, as they may leave a film and attract dust and smudges.

PRIOR TO SHIPPING, THE FUNCTIONALITY OF EACH LIGHT AND ITS COMPONENTS IS CHECKED THOROUGHLY. THE MANUFACTURER ASSUMES NO LIABILITY FOR THE MISHANDLING OF PRODUCTS.



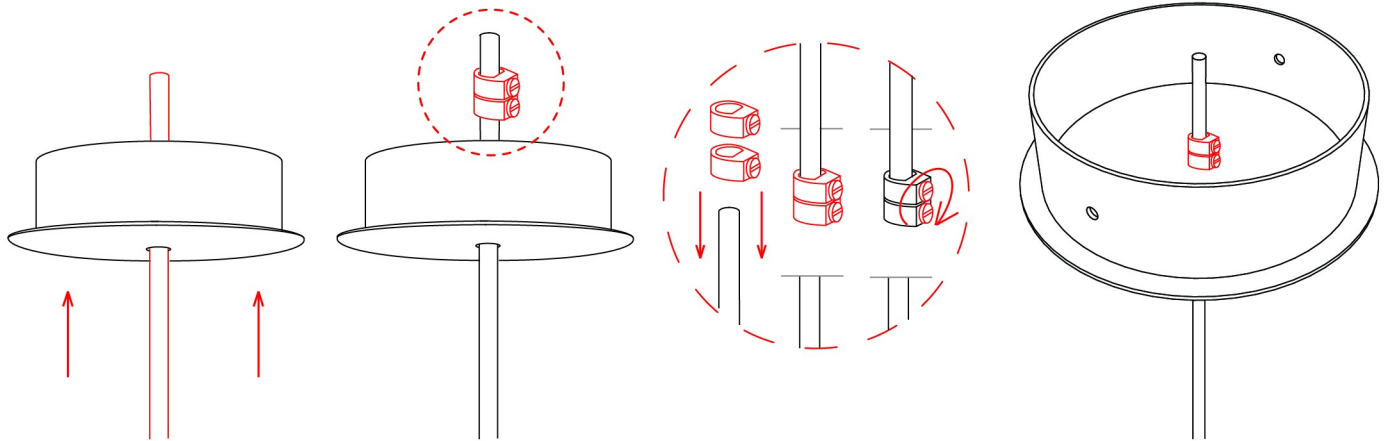
1. INSTALLING THE CEILING BRACKET

Using anchors of sufficient strength (not included), secure the bracket to the ceiling. With regard to various types of ceilings, we recommend consulting installation with an expert. The manufacturer assumes no liability for incorrect installation, the use of improper anchors, or defects in the material to which the bracket is secured.



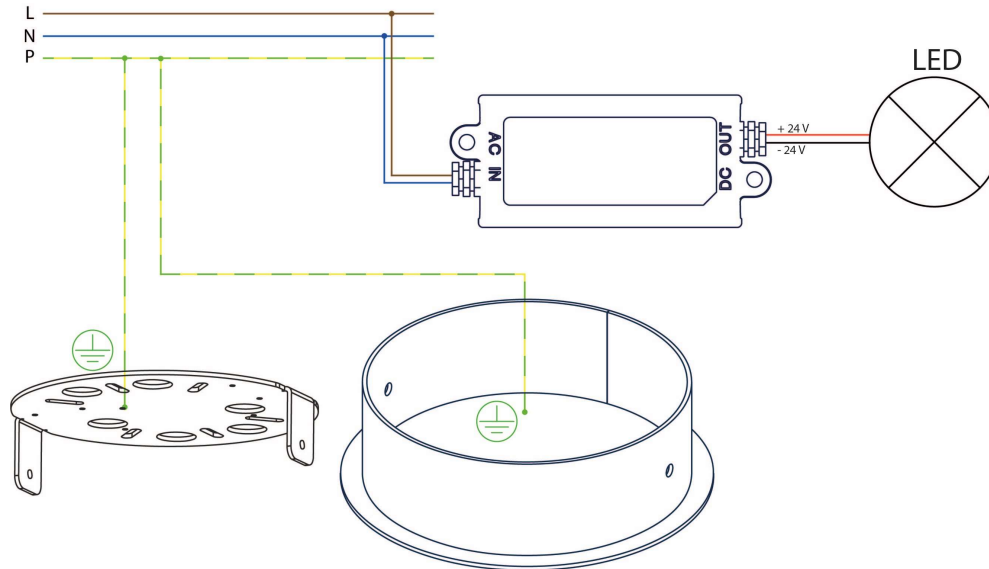
2. INSTALLING THE POWER CABLE

Pass the power cable through the opening in the ceiling canopy, adjust to the required length, and secure in place with two plastic cable stops.



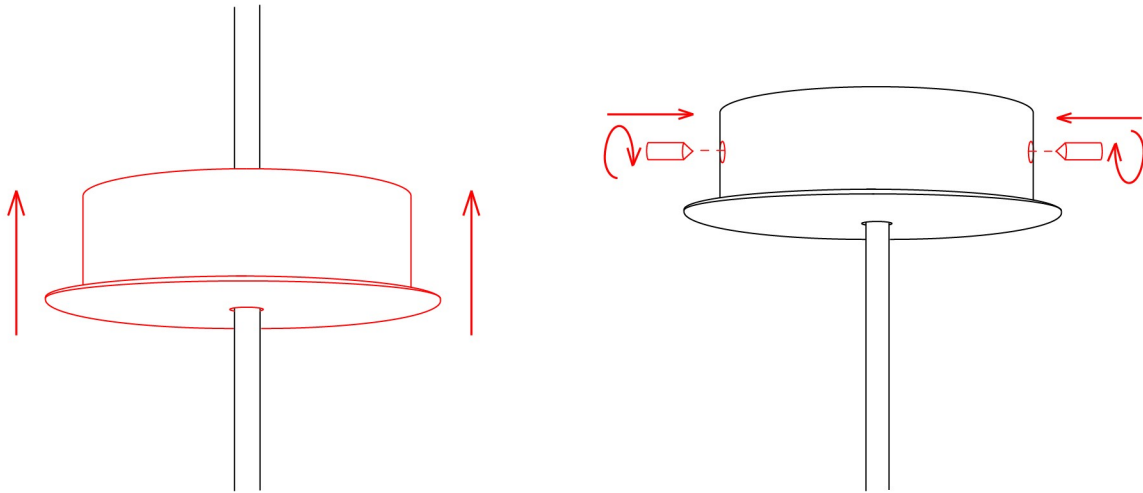
3. CONNECTING THE LIGHT TO THE BUILDING WIRING

Connect the light to the building wiring according to the connection diagram.



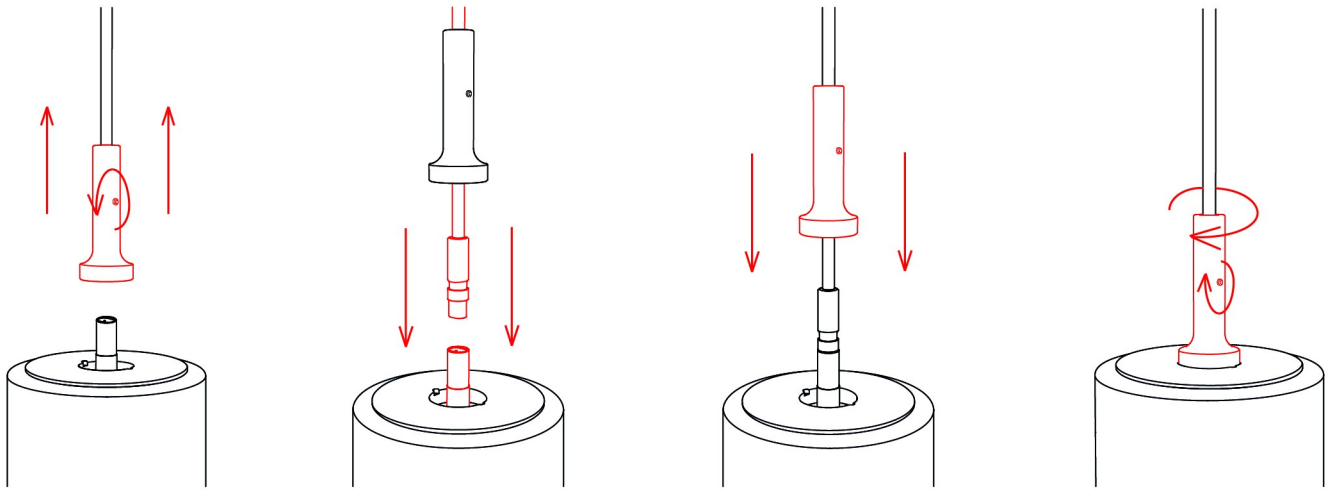
4. INSTALLING THE CEILING CANOPY

Use the two set screws M5×12 and the size 2.5 hex key to attach the ceiling canopy to the bracket.



5. INSTALLING THE LIGHT

Use the 1.5 hex key to loosen the set screw on the sleeve of the power cable. Insert the power cable into the connector on the light and replace the sleeve. Retighten the set screw.



6. SWITCHING ON THE LIGHT

Restore power at the main circuit panel and verify that the light works properly.

